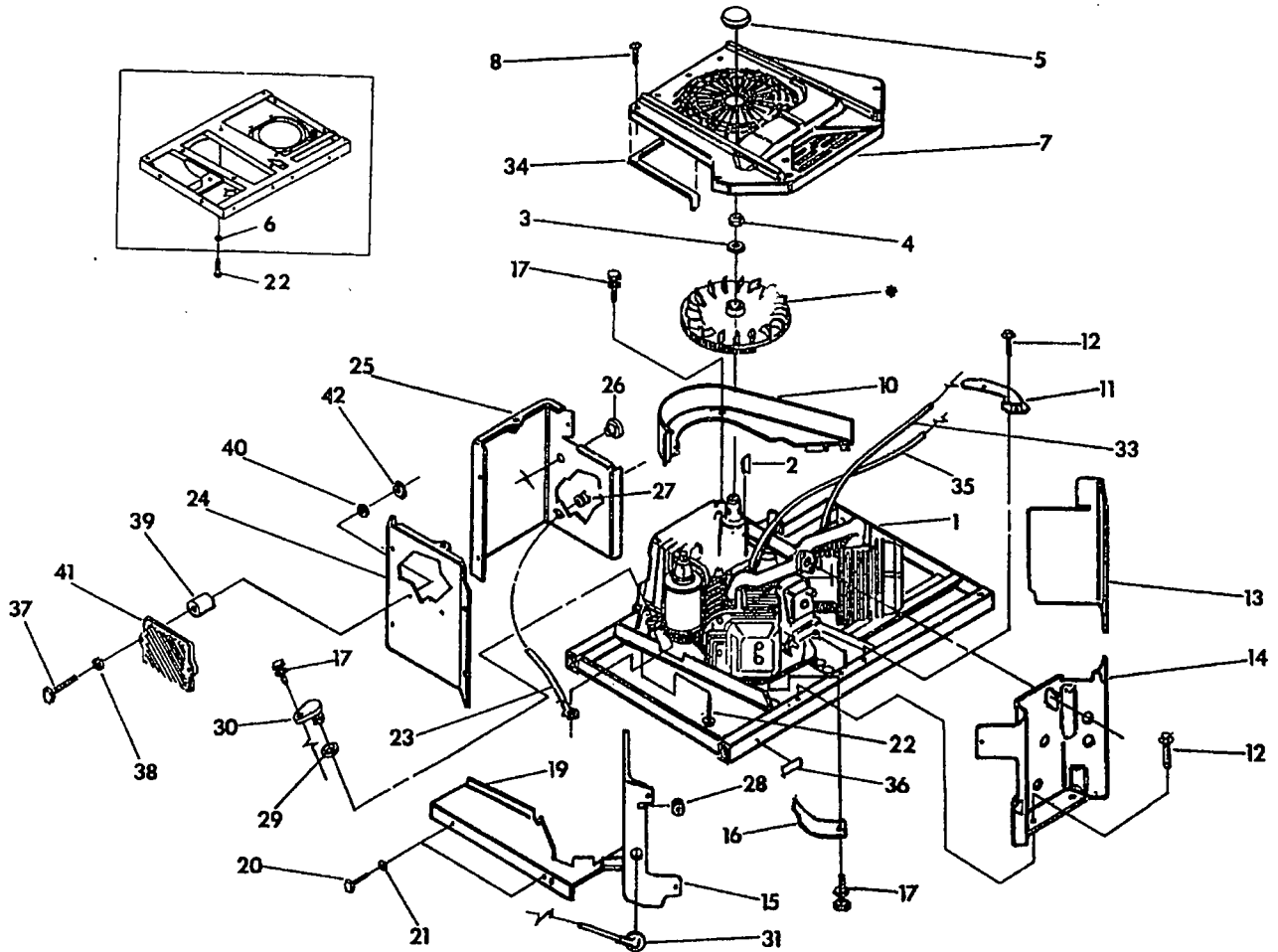


EXPLODED VIEW — SHEET METAL

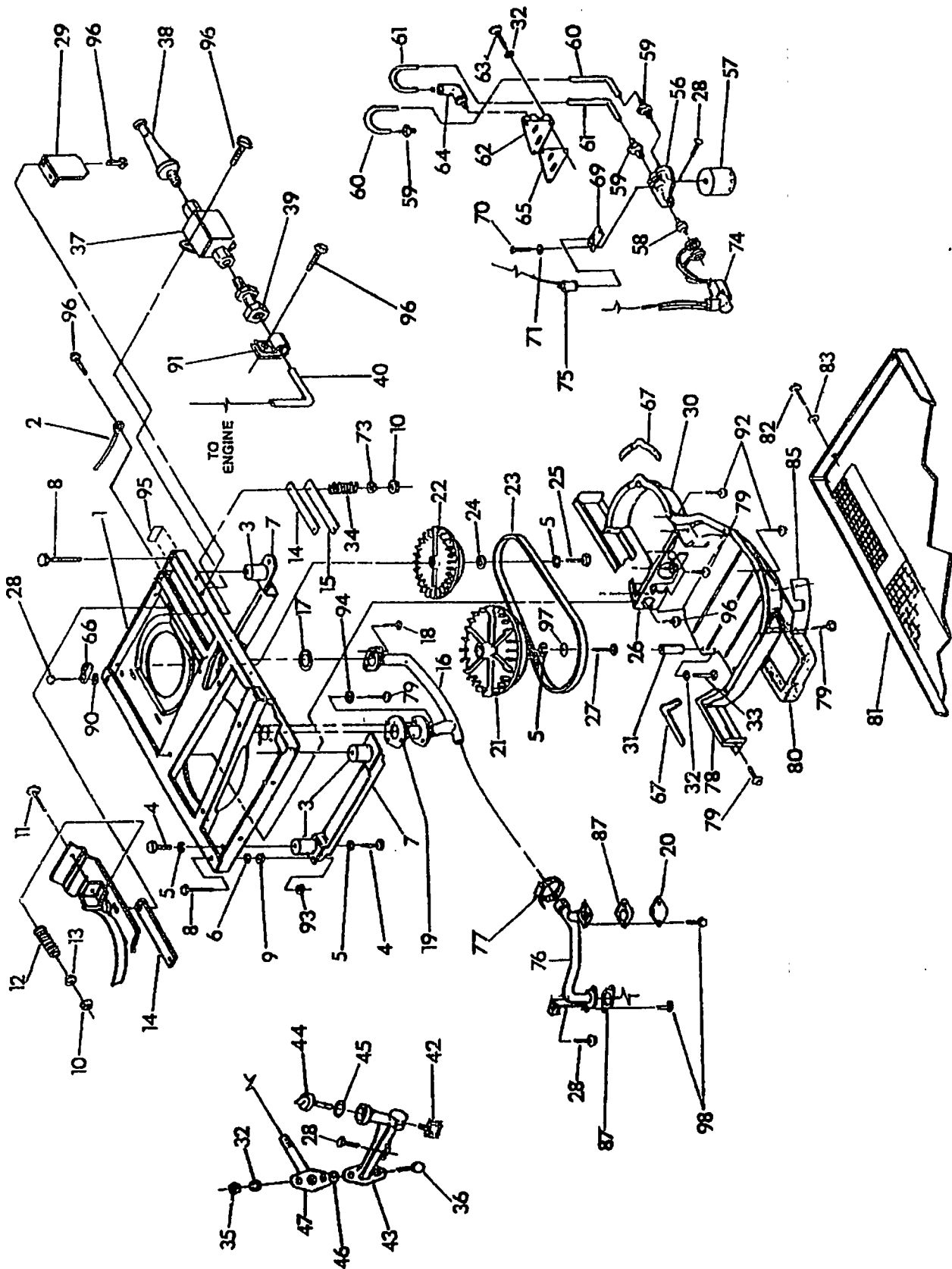
Drawing No. 92935



ITEM	PART NO.	QTY.	DESCRIPTION	ITEM	PART NO.	QTY.	DESCRIPTION
1		1	SEE ENG. EXP. VIEW OF ENGINE	23	10-74260	1	WIRE ASSEMBLY-NO. 16
2	99258	1	KEY, WOODRUFF-6 x 22 MM	24	88290	1	COVER, STARTER
3	67198N	1	BEVELLED WASHER	25	73186	1	WRAPPER, CRANKCASE
4	67890	1	HEX NUT	26	81108	1	BUSHING, SNAP
5	87865	1	PLUG, FLYWHEEL ACCESS	27	22717-B	1	GROMMET-RUBBER
6	A4456	1	3/8" SPECIAL LOCK WASHER	28	22717-A	2	GROMMET-RUBBER
7	86313	1	HOUSING, ENGINE TOP	29	67866	1	O-RING
8	56893	23	SCREW (CRIMPTITE)-NO. 10-24 x 1/2"	30	77001	1	PLUG, OIL FILL
10	87750	1	SCROLL, FLYWHEEL	31	73132	2	BOOT, SPARK PLUG
11	74916	1	COVER-BASE #2	33	87858A	1	GROUND WIRE ASSEMBLY-CYL. #2
12	74908	9	SCREW (TAPTITE)-M5 x 10MM	34	29289	2 FT.	FOAM TAPE
13	73190	1	WRAPPER-NO. 2 CYLINDER	35	87858B	1	GROUND WIRE ASSEMBLY-CYL. #1
14	78858	1	COVER, VALLEY	36	50277	1	DECAL, OIL DRAIN
15	78859	1	WRAPPER-NO. 1 CYLINDER	37	38153	2	NO. 10-32 x 1-1/2" SCREW
16	74902	2	WRAPPER-BARREL	38	22152	2	NO. 10 LOCK WASHER
17	66476	4	HHCS/LW M6-1.0 x 12MM	39	33469	2	0.22 INCH I.D. SPACER
19	73191	1	COVER, BASE-NO. 1 CYL.	40	23897	2	NO. 10 FLAT WASHER
20	48571	2	CAPSCREW, HEX HEAD-M8-1.25 x 15MM	41	92934	1	REGULATOR-10A
21	22129	2	LOCKWASHER-M8	42	22158	2	NO. 10-32 HEX NUT
22	75246	4	SCREW (TAPTITE)-3/8"-16 x 1-1/4"				

EXPLODED VIEW — BASE & PULLEYS

Drawing No. 91356



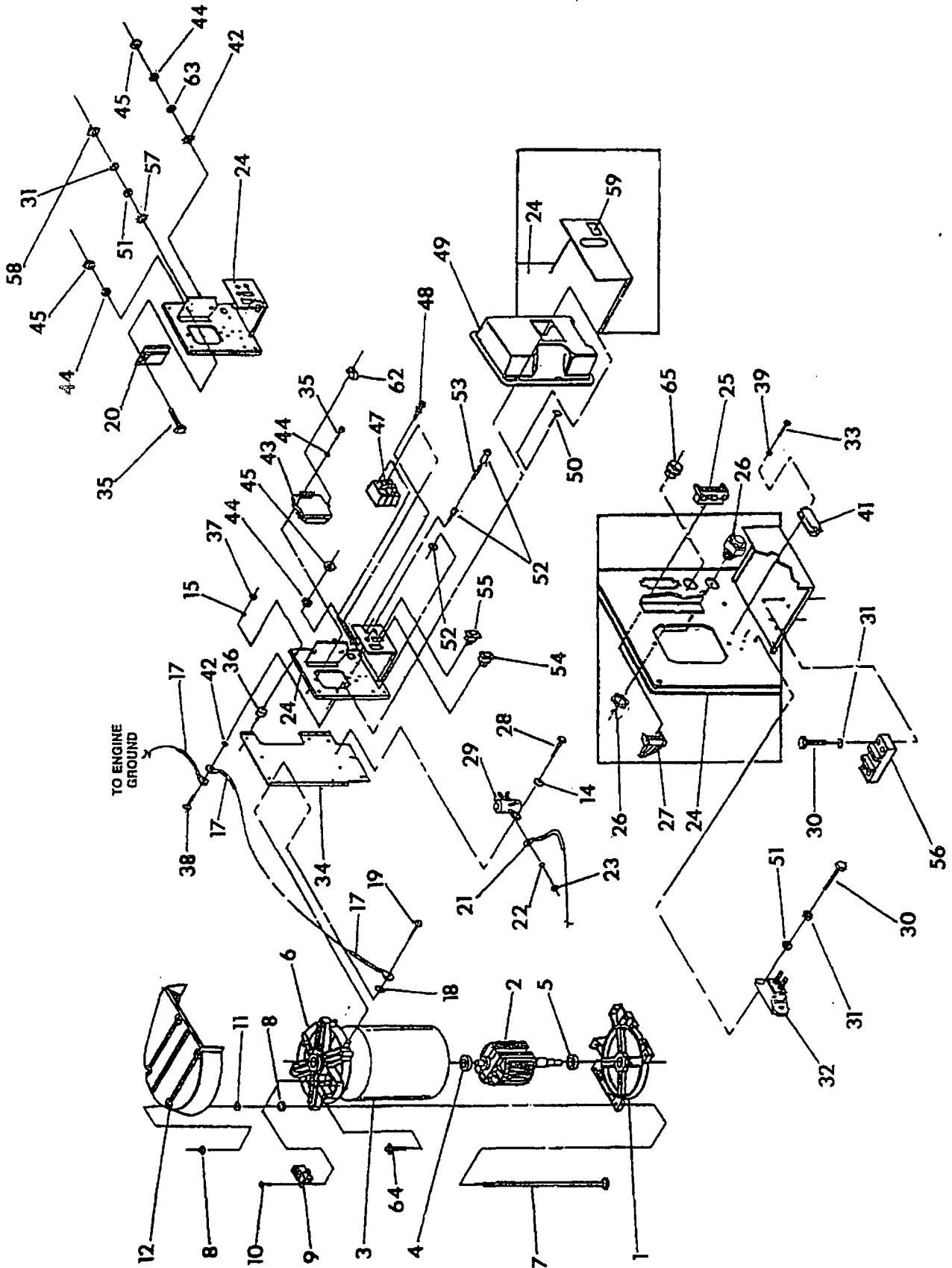
REPAIR PARTS — BASE & PULLEYS

Drawing No. 91356

ITEM	PART NO.	QTY.	DESCRIPTION	ITEM	PART NO.	QTY.	DESCRIPTION
1	86318	1	BASE, MOUNTING	45	67871	1	O-RING, CAP
2	90141	1	GROUND CABLE	47	75711	1	PIPE, OIL DRAIN ADAPTOR
3	46911	4	MOUNT, (RUBBER)	48	A5802	1	TINNERMAN CLIP
4	25017	8	CAPSCREW, HEX HD.- 3/8"-16 x 1/2"	49	A5508	1	OIL FILL TUBE GASKET
5	46526	10	LOCKWASHER, M10	50	22413	1	ELBOW - 3/8" NPT X 3/8"
6	22129	2	LOCKWASHER-M8	56	73179	1	OIL FILTER SUPPORT
7	72391	2	SKID, RUBBER MOUNT	57	70185	1	FILTER, OIL
8	77603	2	HHCS-5/16-18 x 3.5 SPC	58	60108	1	10 PSI OIL PRES. SWITCH
9	22259	2	NUT, HEX-5/16-18	59	74948	3	FITTING-5/16"
10	52858	6	NUT, FLANGED LOCK-M8-1.25	60	74950	1	TUBE, OUTER OIL
11	51730	2	CAPSCR. HEX HD. M8-1.25 x 60MM	61	74951	1	TUBE, INNER OIL
12	29459	2	SPRING, BELT TENSION	62	73134	1	ADAPTOR, OIL PAD
13	75215	2	WASHER, SPRING CNTR	63	38750	3	CAPSCREW, HEX HEAD- M6-1.00 x 30MM
14	73146	4	SLIDE (NYLON)	64	74949	1	FITTING, 90-DEGREE-5/16"
15	75209	2	SUPPORT, NYLON SLIDE	65	68548	1	GASKET, OIL PAD
16	73174	1	MANIFOLD, EXHAUST	66	62684	1	LUG, GROUNDING
17	79678	2	GASKET, EXHAUST MANIFOLD	67	29289	-	TAPE, FOAM-1/16" THICK x 8'
18	55173	4	CAPSCR., HEX HD.-M8-1.25 x 20MM (GRADE 10.9)	69	75281	1	SWITCH, HIGH TEMP.
19	72383	2	GASKET, COLLECTOR PAN	70	74027	2	SCREW, PAN HEAD-M3-0.50
20	90859	1	COVER PLATE - EXT.	71	43182	2	LOCKWASHER-M3
21	75224F	1	PULLEY, ENGINE	73	75237	4	WASHER, SPRING RETAINER
22	73106F	1	PULLEY, ALT.	74	77681	1	CAP, VINYL-LOS-2 WIRE
23	75216	1	BELT (POLY V 4L)-40"	75	75474	1	CAP, VINYL-17D x 42L x 2H
24	49451	1	WASHER, PULLEY	76	90800	1	ELBOW, EXHAUST - UNIVERSAL
25	42633	1	CAPSCR., SOCKET HD. 3/8"-24 X 1 (GRADE 5)	77	74907	1	CLAMP, EXHAUST-1-1/8"
26	77017	1	GUIDE, BLOWER HOUSING	78	75226	1	COVER, AIR
27	73118	1	CAPSCR., HEX HD. 3/8"-24 X 2-1/4"	79	56893	14	SCREW (CRIMPTITE) NO. 10-24 x 1/2" LONG
28	74906	4	SCREW (TAPTITE) M6-1.00 X 20	80	75229	1	GASKET, SLIDE PAN
29	91123	1	SCREW (TAPTITE) M5-0.80 X 10	81	75227	1	SLIDE PAN
30	72375	1	HOUSING, BLOWER	82	79246	4	CAPSCREW, HEX HEAD M6-1.00 x 16MM WITH LOCK WASHER
31	73185	1	SPACER, BLOW. HOUSING	83	22473	5	FLATWASHER, M6
32	22097	7	LOCKWASHER, M6	85	72384C	1	COVER, EXHAUST OUTLET
33	77682	1	CAPSCR. HEX HD. M5-0.80 X 80MM	87	77643	2	GASKET, EXHAUST OUTLET
34	75242	4	SPRING, GENERATOR SET MT	90	22447	1	LOCK WASHER-M6, TOOTHED
35	49813	2	NUT, HEX M6 X 1.0	91	90088	1	FUEL PUMP BRACKET
36	45757	2	CAPSCREW, HEX HD., M6-1.0 X 25 LONG	92	74908	10	M6 X 10MM TAPTITE SCREW
37	90475	1	COVER PLATE	93	81105	2	FUEL FILTER
38	87769	1	CLAMP, HOSE - 3/8"	94	23897	6	1/8" PIPE TO 1/4" TUBE FITTING
39	87768	1	FITTING-1/8 PIP TO 1/4 TUBE	95	67210	1	FUEL LINE
40	87770	1	FUEL LINE	96	90088	9	VINYL COATED CLAMP
42	26925	1	3/8 NPT OIL DRAIN	97	22131	1	M10 FLAT WASHER
43	75710-A	1	TUBE, OIL FILL AND DRAIN	98	68527	4	CAPSCREW, HEX HD. - M6-1.00 X 20MM WITH LOCK WASHER
44	74958	1	CAP & DIPSTICK ASSEM.				

EXPLODED VIEW — CONTROL PANEL

Drawing No. A2687



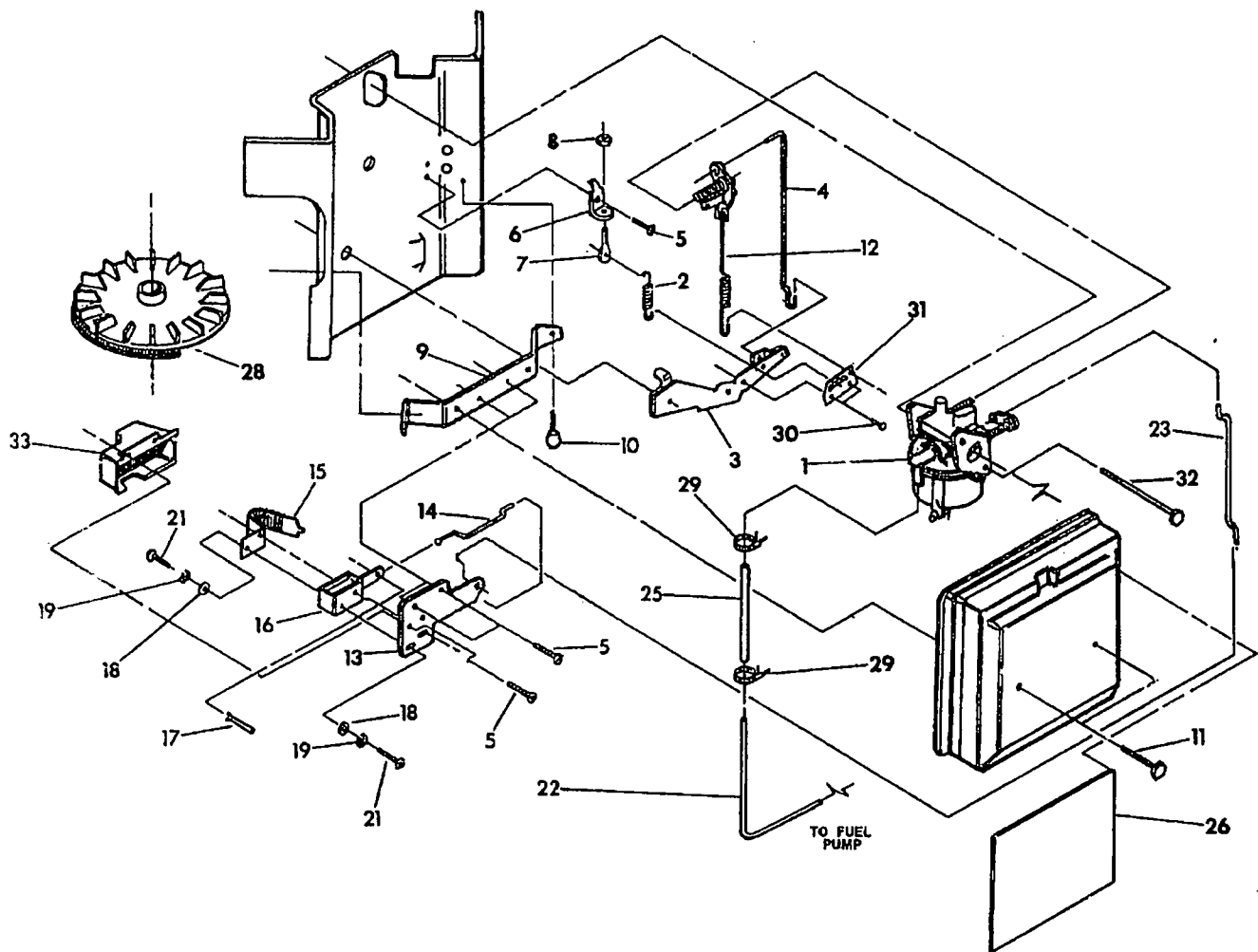
REPAIR PARTS — ALTERNATOR & CONTROL PANEL

Drawing No. A2687

ITEM	PART NO.	QTY.	DESCRIPTION	ITEM	PART NO.	QTY.	DESCRIPTION
1	75995	1	LOWER BEARING CARRIER	34	86317A	1	PANEL SUPPORT BRACKET
2	80095H	1	ROTOR ASSEMBLY	35	75235	4	M5-0.8 X 30 LG. CAPSCREW
3	A2592H	1	STATOR ASSEMBLY	36	82737	4	VIBRATION MOUNT
4	73159	1	BALL BEARING	37	49813	4	M6-1.0 HEX NUT
5	31971	1	BALL BEARING	38	49815	1	M5-0.8 X 16 LG. HHCS
6	72379B	1	UPPER BEARING CARRIER	39	43182	2	M3-LOCK WASHER
7	77006	4	STUD-STATOR	41	5 ^A 02	1	C/BREAKER 3.0A
8	52858	8	M8-1.25 FLANGE LOCK NUT	42	22264	1	M5 SHAKEPROOF WASHER
9	66386	1	BRUSH HOLDER	43	83049	1	REGULATOR VOLTAGE
10	66849	2	M5-0.8 X 16 LG. TAPTITE	44	22152	6	M5-LOCK WASHER
11	27756	4	NYLON WASHER	45	51716	4	M5-0.8 HEX NUT
12	86341	1	GEN. TOP HOUSING	47	A2598	1	C/BREAKER 25A. 3 POLE
13	A8475	1	M5-SPECIAL LOCK WASHER	48	25105	4	PRHMS #6-32 X 1/4" SEMS
14	22473	2	M6-FLAT WASHER	49	86315	1	PANEL COVER
15	22097	4	M6-LOCK WASHER	50	90734	4	M4-0.7 X 16 LG. CAPSCREW W/LOCK WASHER & FLAT WASHER
17	90141	2	GROUND CABLE				
18	22447	1	SHAKEPROOF LOCK WASHER	51	22985	3	M4-FLAT WASHER
19	74906	4	M6-1.0 X 20 LG. TAPTITE	52	32300	1	FUSE HOLDER
20	92234	1	CONTROLLER P.C.B.	53	22676	1	FUSE AGC-15A.
21	010-74260	1	STARTER CABLE	54	87798	1	SWITCH S.P.D.T. 6A (START-STOP)
22	22129	2	5/16" LOCK WASHER	55	92113	1	SWITCH S.P.S.T. (FUEL PUMP)
23	22259	2	5/16"-18 HEX NUT				
24	86316	1	PANEL SHEET METAL	56	75210A	1	TERMINAL BLOCK
25	53650	1	4-PIN CONNECTOR	57	23365	1	M4-SHAKEPROOF WASHER
26	20575	1	CONNECTOR	58	51715	1	M4-0.7 HEX NUT
27	75244	1	REMOTE HARNESS	59	90157A	1	DECAL, CB RATING 25A.
28	66886	2	M6-1.0 X 12MM CAPSCREW	62	31791	1	CLAMP, CABLE
29	56739	1	STARTER CONTACTOR	63	23897	1	M5-FLAT WASHER
30	75476	4	M4-0.7 X 16 LG. CAPSCREW	64	74908	1	M5 X 10 LONG TAPTITE
31	22264	5	M4-LOCK WASHER	65	23484-S	1	BUSHING
32	38077	1	CIRCUIT BREAKER 15A.				
33	90987	2	M3-0.5 X 12 LG. CAPSCREW				

REPAIR PARTS — CARBURETOR

Drawing No. 98692

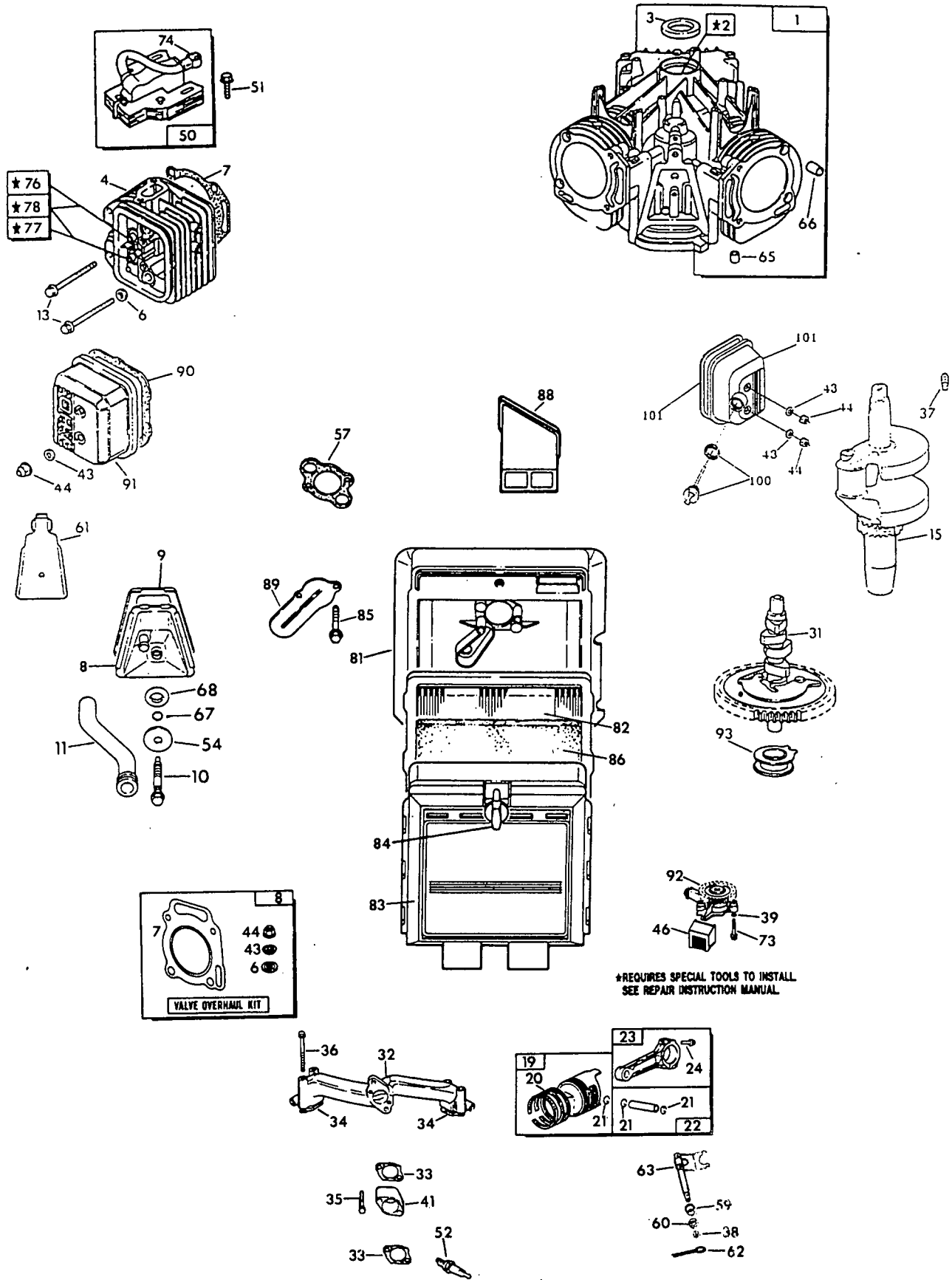


ITEM	PART NO.	QTY.	DESCRIPTION
1	73112B	1	CARBURETOR ASSEMBLY
2	74962E	1	SPRING, GOVERNOR-(IM5.2)
	74962B	1	SPRING, GOVERNOR-(IM6.6)
	74962G	1	SPRING, GOVERNOR-(IM7.2)
3	70155	1	LEVER, GOVERNOR
4	70108	1	ROD, GOVERNOR TO CARB.
5	56893	5	SCREW (CRIMPTITE) NO. 10-24 x 1/2"
6	74961	1	BRACKET, GOV. ADJUSTER
7	47227	1	SCREW, GOV. ADJUSTER
8	37398	1	NUT, HEX LOCK (NYLON)
9	73131	1	BRCKT., AIR CLNR. SUPPORT
10	66476	2	SCREW, HEX-M6-1.00 x 12MM
11	72310	2	SCREW, HEX-M6-1.00 x 25MM
12	70125	1	SPRING, ANTI-LASH
13	73374	1	BRACKET, CHOKE SUPPORT
14	74947	1	ROD, CHOKE CONTROL
15	89473	1	BI-METAL ASSEMBLY, CHOKE
16	91306	1	SOLENOID, CHOKE
17	77091	1	HAIRPIN, COTTER-.0901

ITEM	PART NO.	QTY.	DESCRIPTION
18	31879	4	FLATWASHER-NO. 4
19	22159	4	LOCKWASHER-NO. 4
20	89870	1	SOLENOID FUEL SHUT-OFF
21	72536	4	SCREW, PAN HD. MACH. NO. 4-40 x 1/4"
22	87770	1	LINE, FUEL-5/16" ID.
23	74946	1	LINK, CHOKE
25	47662T	1	HOSE-FUEL, 4.5" LG
26	81378	1	DECAL, AIR CLEANER-(IM5.2)
	81378A	1	DECAL, AIR CLEANER-(IM6.6)
	81378B	1	DECAL, AIR CLEANER-(IM7.2)
	A2603	1	DECAL, AIR CLEANER-(IM7.2 3PH)
27	75252	1	KIT, CARBURETOR- OVERHAUL-NOT SHOWN
28	73130	1	FLYWHEEL ASSEMBLY
29	40173	2	CLAMP, HOSE (SCREW TYPE)
30	66829	2	ALUMINUM RIVET-3MM
31	75944	1	BRACKET, GOVERNOR SPRING
32	70594	2	CAPSCREW, HEX HD. M6-1.0 x 93 LG, W/WASHER
33	77075	1	COVER, CHOKE COIL

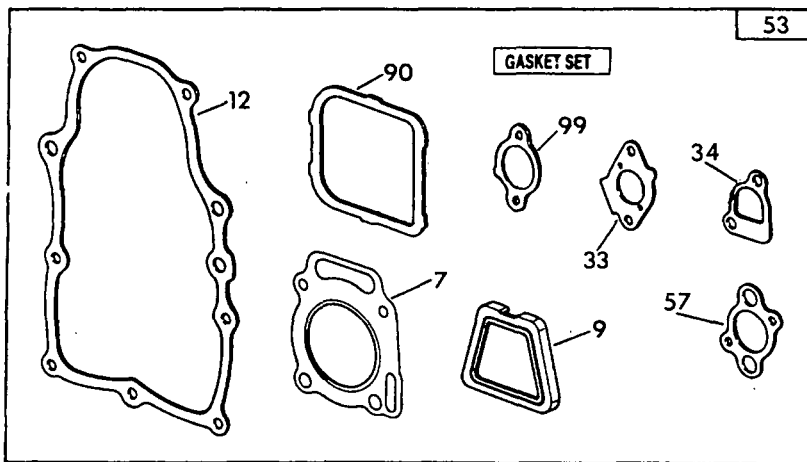
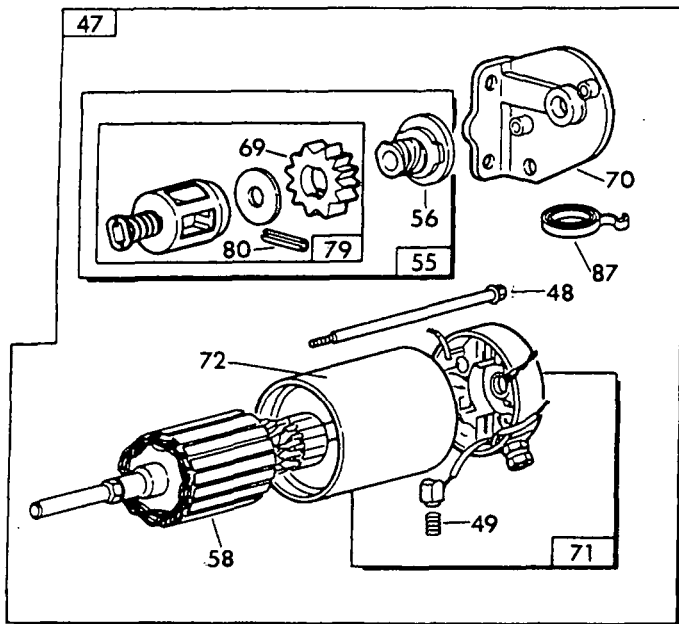
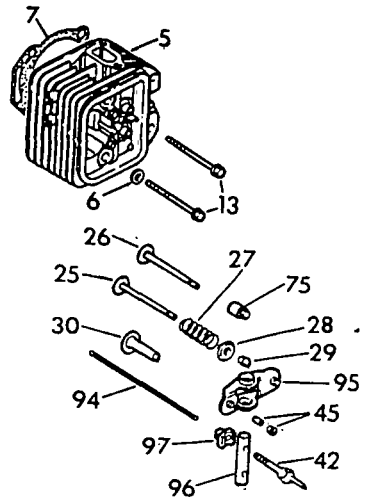
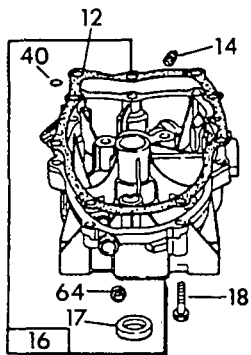
EXPLODED VIEW — V-TWIN ENGINE PARTS

Drawing No. 79216



EXPLODED VIEW — V-TWIN ENGINE PARTS

Drawing No. 79216



EXPLODED VIEW — V-TWIN ENGINE PARTS

Drawing No. 79216

ITEM	PART NO.	QTY.	DESCRIPTION	ITEM	PART NO.	QTY.	DESCRIPTION
1	69331	1	CYLINDER ASSEMBLY	36	67158	4	BOLT, INTAKE MANIFOLD MNT.
2	69333	1	SLEEVE BEARING-30 DIA.	37	68574	1	PIPE-PLUG, 1/8" NPT
3	67805	1	OIL SEAL-30 DIAMETER	38	68554	1	SEAL, GOV. SHAFT
4	79234	1	CYLINDER HEAD ASSEM.-NO. 1	39	68573	1	O-RING, OIL PUMP
5	79235	1	CYLINDER HEAD ASSEM.-NO. 2	40	70506	1	O-RING, OIL GALLEY
6	70169	4	SEALING WASHER	41	70554	1	SPACER, CARBURETOR
7	69332	2	GASKET-CYLINDER HD.	42	7 568	4	STUD, ROCKER ARM
8	72301	1	BREATHER ASSEMBLY	43	75253	4	SEAL, WASHER -VALVE COVER
9	72315	1	GASKET, BREATHER	44	67885	4	NUT, NYLOK-M6
10	70190	1	SCREW, BREATHER	45	75254	4	SCREW, VALVE ADJUST
11	70596	1	TUBE, BREATHER	46	70535	1	SCREEN, OIL
12	69336	1	GASKET, OIL SUMP	47	75255	1	STARTER MOTOR
13	69325	8	BOLT, CYLINDER HEAD	48	75256	2	BOLT, STARTER MOTOR
14	67888	2	PLUG, OIL DRAIN-3/8" NPT	73	68572	2	SCREW, OIL PUMP
15	72334	1	CRANK SHAFT ASSM.	74	75272	2	TERMINAL, SPARK PLUG
16	75247	1	OIL SUMP ASSEMBLY	75	70122	2	SEAL, VALVE STEM
17	67924	1	OIL SEAL-35 DIAMETER	76	67910	2	SEAT, INTAKE VALVE
18	67878	9	BOLT, OIL SUMP	77	67911	2	SEAT, EXHAUST VALVE
19	75248	2	PISTON ASSM.-STANDARD	78	67813	4	VALVE, GUIDE
20	75249	2	RING SET- PISTON -STANDARD	79	75268	1	RETAINER AND PIN
21	69327	4	LOCKING RING, PISTON	80	75270	1	ROLL PIN
22	75250	2	PISTON PIN-STANDARD	81	70592	1	AIR CLEANER BASE
23	75251	2	CONNECTING ROD ASSM.	82	73123	1	AIR FILTER (FLAME RETARDENT)
24	72346	4	BOLT, CONNECTING ROD	83	70593	1	COVER, AIR CLEANER
25	69316	2	EXHAUST VALVE	84	72300	1	SCREW, AIR CLEANER COVER
26	69317	2	INTAKE VALVE	85	67156	2	SCREW, AIR CLEANER BASE
27	67816	4	VALVE SPRING	86	69341	1	PRE-FILTER
28	69320	4	RETAINER, VALVE SPRING	87	80011	1	SPRING, BRUSH SET
29	70513	4	KEEPER, VALVE	88	70597	1	TUBE, AIR INLET
30	70584	4	TAPPET, VALVE	89	69358	1	DEFLECTOR-BREATHER
31	70530	1	CAMSHAFT ASSEMBLY	90	67920	2	GASKET, VALVE COVER
32	72358	1	INTAKE MANIFOLD	91	69328	1	ROCKER ARM COVER
33	69379	2	GASKET, CARB. MNTG.	92	70547	1	OIL PUMP ASSEMBLY
34	67895	2	GASKET, INTAKE MANIFOLD				
35	70594	2	BOLT, CARB. MNTG.				