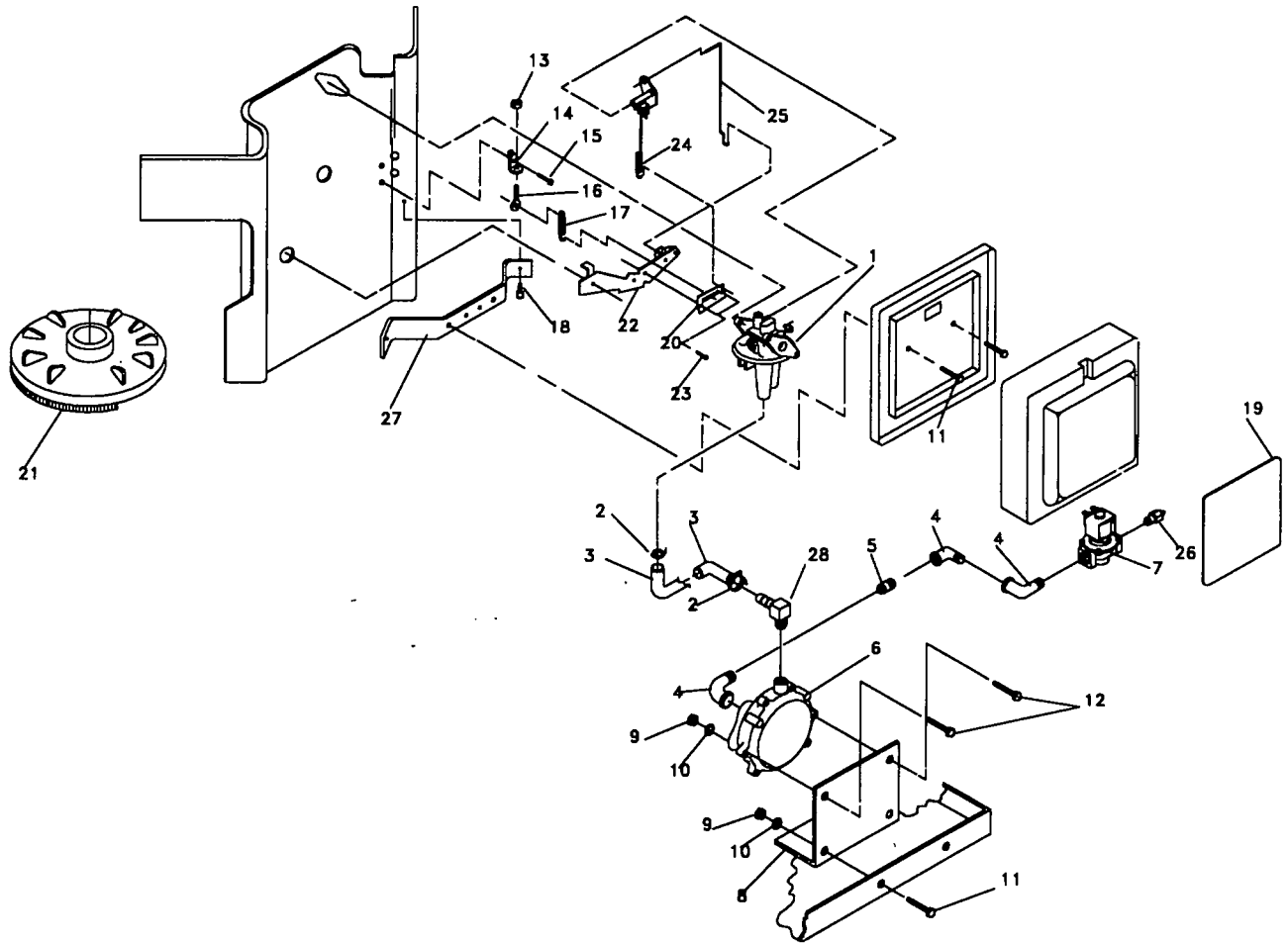


REPAIR PARTS — CARBURETOR

Drawing No. A4029



ITEM	PART NO.	QTY.	DESCRIPTION	ITEM	PART NO.	QTY.	DESCRIPTION
1	A1662A	1	CARB. V-TWIN L/P	19	81378-B	1	AIR CLEANER DECAL IM-72-LPG
2	57822	2	HOSE CLAMP		91351	1	AIR CLEANER DECAL NP-66-LPG
3	74994	1	1/2" I.D. x 10" LONG HOSE		91352	1	AIR CLEANER DECAL-Q-55
4	26307	3	STREET ELBOWS		91352-A	1	AIR CLEANER DECAL-Q-70
5	26915	1	3/4" PIPE NIPPLE	20	75944	1	GOV. SPRING BRACKET
6	75211	1	GASEOUS FUEL REGULATOR	21	73130	1	FLYWHEEL ASSEMBLY
7	A2666	1	GASEOUS FUEL SOLENOID	22	70155	1	GOVERNOR LEVER
8	78864	1	REG. MOUNTING BRACKET	23	76242	2	1/8" I.D. x 1/8" RIVET
9	49813	4	M6 HEX NUT	24	70125	1	ANTI-LASH SPRING
10	22097	4	M6 LOCK WASHER	25	70108	1	GOV.-TO-CARB. ROD
11	47411	2	M6-1.00 x 16MM HEX HD. CAPSCR.	+	28739	4	4" LONG TIE WRAP
12	38750	2	M6-1.00 x 30MM HEX HD. CAPSCR.	+	55162	9cc	PIPE SEALANT
13	37398	1	HEX LOCK NUT (NYLON)	26	81190	1	LP HOOK-UP FITTING
14	74961	1	GOV. ADJUSTER BRACKET	27	70103	1	AIR CLEANER SUPPORT BRACKET
15	56893	5	NO. 10-24 x 1/2" SCREW	28	61695	1	BARBED 90 DEG. 3/8" x 1/2"
16	47227	1	GOV. ADJUSTER SCREW				+NOT SHOWN
17	74962-C	1	GOVERNOR SPRING				
18	66476	2	M6-1.0 x 12MM HEX SCREW W/LOCKWASHER				

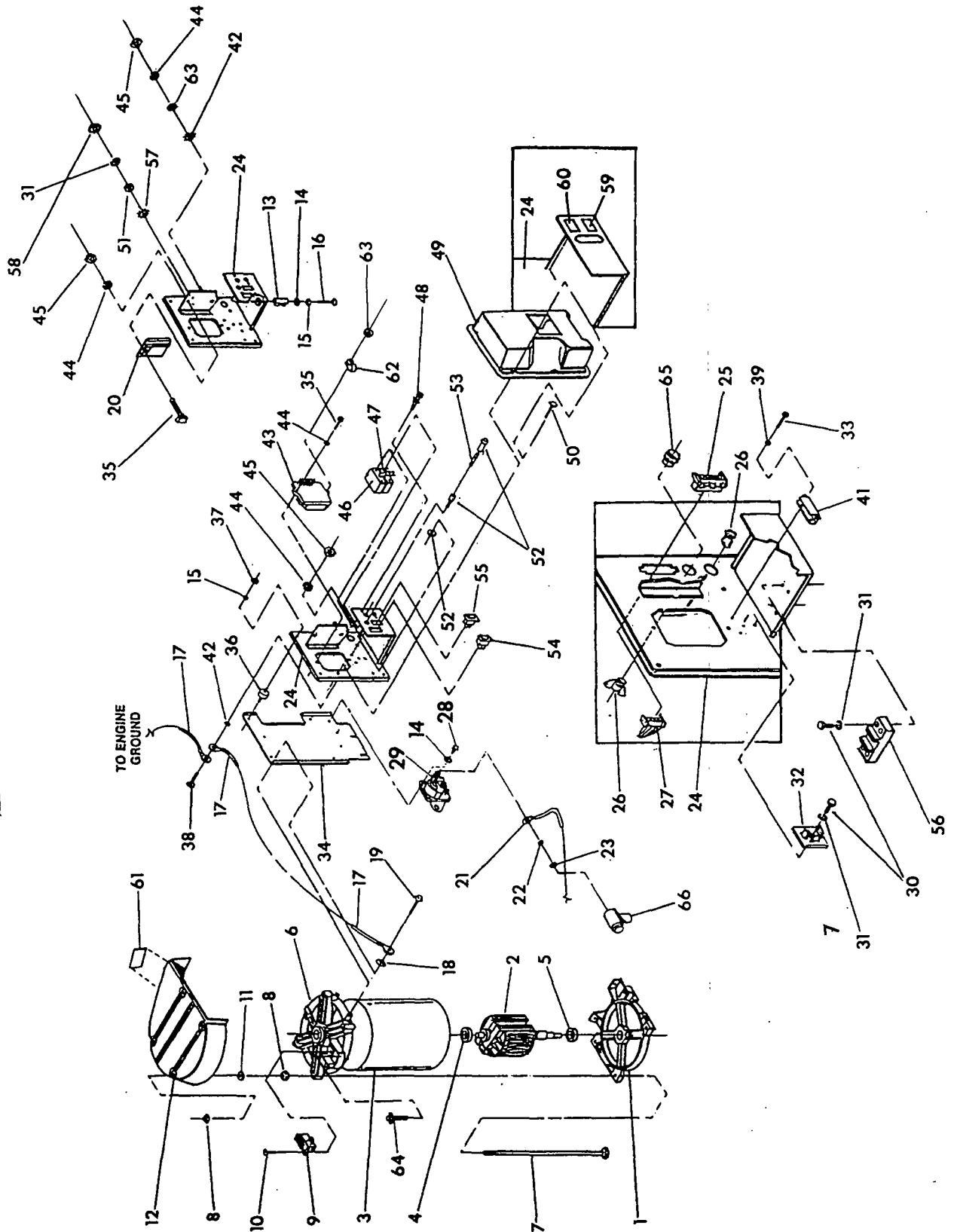
REPAIR PARTS — BASE & PULLEYS

Drawing No. 95955

ITEM	PART NO.	QTY.	DESCRIPTION	ITEM	PART NO.	QTY.	DESCRIPTION
1	86318	1	BASE, MOUNTING	34	75242	4	SPRING, GEN. SET MT
2	90141	1	GROUND CABLE	35	49813	2	NUT, HEX M6 X 1.0
3	46911	4	MOUNT, (RUBBER)	36	45757	2	CAPSCR., HEX HD. M6-1.0 X 25 LONG
4	25017	4	CAPSCREW, HEX HD. 3/8"-16 x 1/2"	42	26925	1	3/8 NPT OIL DRAIN
5	22237	10	LOCKWASHER, 3/8	43	75710A	1	TUBE, OIL FILL AND DRAIN
6	22129	2	LOCKWASHER-M8	44	74958	1	CAP & DIPSTICK ASSEM.
7	72391	2	SKID, RUBBER MOUNT	45	67871	1	O-RING, CAP
8	77603	2	SAFETY BOLT 5/16-18 x 3 1/2	46	75712	1	O-RING, DRAIN
9	22259	2	NUT, HEX-5/16-18	47	75711	1	PIPE, OIL DRAIN ADAPTOR
10	52858	6	NUT, FLANGED LOCK M8-1.25	56	73179	1	OIL FILTER SUPPORT
11	51730	2	CAPSCR. HEX HD. M8-1.25 x 60MM	57	70185	1	FILTER, OIL (FRAM#PH3614)
12	29459	2	SPRING, BELT TENSION	58	60108	1	10 PSI-SWITCH, OIL PRES.
13	75215	2	WASHER, SPRING CNTR	59	74948	3	FITTING-5/16"
14	73146	4	SLIDE (NYLON)	60	74950	1	TUBE, OUTER OIL
15	75209	2	SUPPORT, NYLON SLIDE	61	74951	1	TUBE, INNER OIL
16	73174	1	MANIFOLD, EXHAUST	62	73134	1	ADAPTOR, OIL PAD
17	79678	2	GASKET, EXHAUST MANIFOLD	63	38750	3	CAPSCREW, HEX HEAD M6-1.00 x 30MM
18	55173	4	CAPSCR., HEX HD. M8-1.25x20MM (GRADE 10.9)	64	74949	1	FITTING, BARBED 90°-5/16"
19	72383	2	GASKET, COLLECTOR PAN	65	68548	1	GASKET, OIL PAD
20	90859	1	COVER PLATE -EXTERNAL	66	62684	1	LUG, GROUNDING
21	75224B	1	PULLEY, ENGINE	67	29289	-	TAPE, FOAM-1/16" x 1/2"
22	73106B	1	PULLEY, ALT.	69	75281	1	SWITCH, HIGH TEMP.
23	75216	1	BELT (POLY V 4L)-40"	70	74027	2	SCREW, PAN HEAD-M3-0.50
24	49451	5	WASHER, PULLEY RETAINER	71	43182	2	LOCKWASHER-M3
25	42633	1	CAPSCR., HEX HD. 3/8"-24 x 1" (GRADE 5)	73	75237	4	WASHER, SPRING RETAINER
26	77017	1	GUIDE, BLOWER HOUSING	74	77681	1	CAP, VINYL-LOS-2 WIRE
27	73118	1	CAPSCR., HEX HD. 3/8"-24 X 2-1/4"	75	75474	1	CAP, VINYL-17D x 42L x 2H
28	74906	5	SCREW (TAPTITE) M6-1.00 X 20	76	90800	1	ELBOW, EXHAUST
29	23152	4	CAPSCR.,HEX HD. 3/8"-16 X 3/4"	77	94670	1	CLAMP-EXHAUST 1-1/8
30	72375	1	HOUSING, BLOWER	78	75226	1	COVER, AIR
31	73185	1	SPACER, BLOWER HOUSING	79	56893	14	SCREW (CRIMPTITE) #10-24 x 1/2" LONG
32	22097	6	LOCKWASHER, M6	80	75229	1	SLIDE PAN, GASKET
33	77682	1	CAPSCR., HEX HD. M5-0.80 X 80MM	81	75227	1	SLIDE PAN
				82	79246	4	CAPSCREW, HEX HEAD M6-1.00 x 16MM W/LOCK WASHER
				83	22473	4	FLATWASHER, M6
				85	72384C	1	COVER, EXHAUS

EXPLODED VIEW — ALTERNATOR

Drawing No. 92118



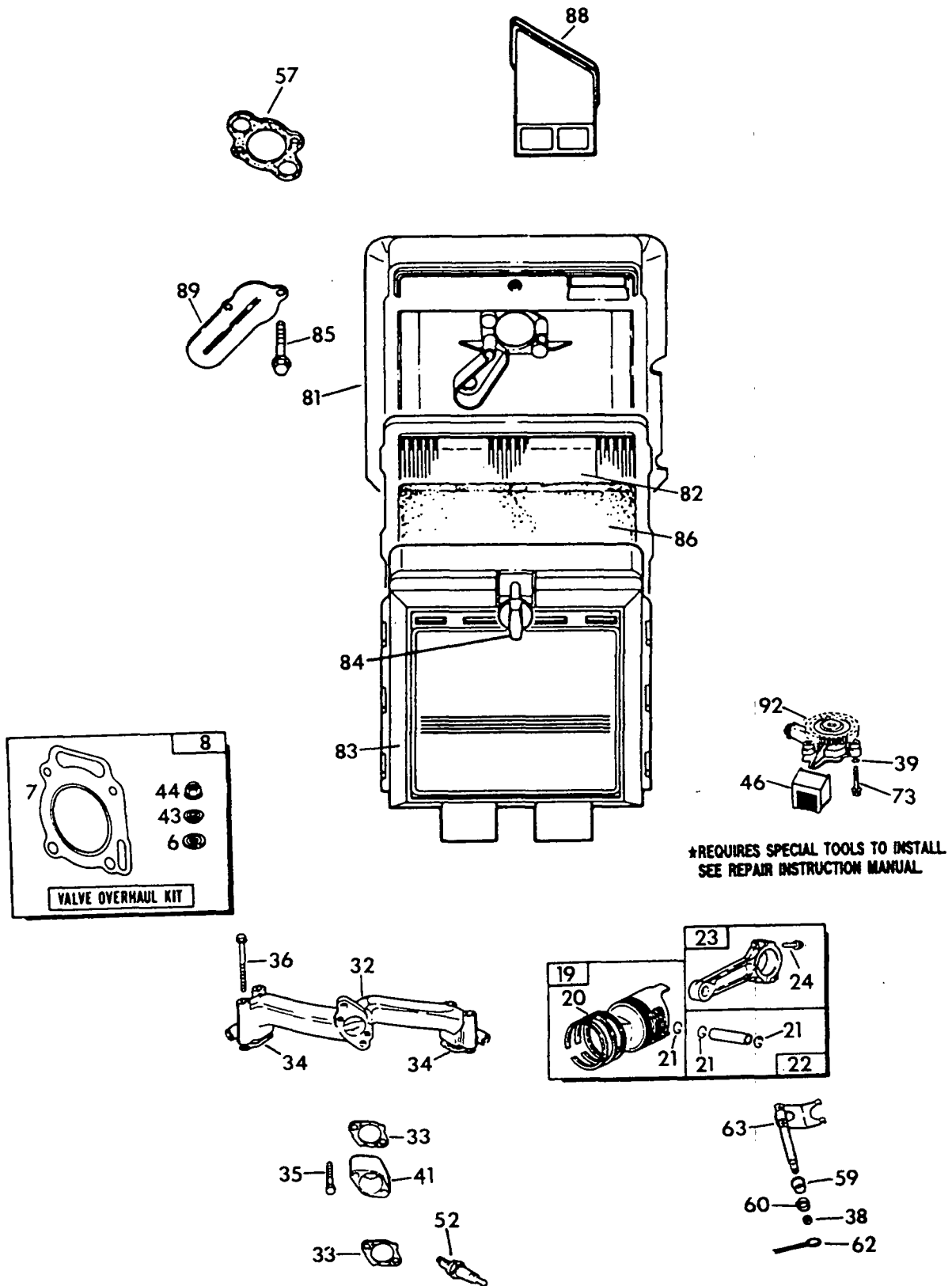
REPAIR PARTS — ALTERNATOR

Drawing No. 92118

ITEM	PART NO.	QTY.	DESCRIPTION	ITEM	PART NO.	QTY.	DESCRIPTION
1	75995	1	LOWER BEARING CARRIER	34	86317	1	PANEL SUPPORT BRACKET
2	92605G	1	ROTOR ASSEM. 50	35	75235	4	M5-0.8 x 30 LG. CAPSCREW
	77005G	1	ROTOR ASSEM. 52	36	82737	4	VIBRATION MOUNT
	77005G	1	ROTOR ASSEM. 55	37	49813	4	M6-1.0 HEX NUT
	77004G	1	ROTOR ASSEM. 66	38	49815	1	M5-08 x 16 LG. HEX HD CAPSCR.
	80095G	1	ROTOR ASSEM. 72 & 70	39	43182	2	M3-LOCK WASHER
3	92604	1	STATOR ASSEM. 50	41	53623	1	C/BREAKER 2.5A. ON 50, 52, & 55
	87844G	1	STATOR ASSEM. 52		54502	1	C/BREAKER 3.0A. ON 66, 70, & 72
	87844G	1	STATOR ASSEM. 55				
	87845G	1	STATOR ASSEM. 66				
	87846G	1	STATOR ASSEM. 72 & 70	42	67444	2	M5 SHAKEPROOF WASHER
4	73159	1	BALL BEARING	43	83049	1	REGULATOR VOLTAGE
5	31971	1	BALL BEARING	44	49226	6	M5-LOCK WASHER
6	72379	1	UPPER BEARING CARRIER	45	51716	4	M5-0.8 HEX NUT
7	77006	4	STUD-STATOR	46	90144	1	C BREAKER 20A 50, 52, & 55
8	52858	8	M8-1.25 FLANGE LOCK NUT		90145	1	C/BREAKER 30A 66, 70, & 72
9	66386	1	BRUSH HOLDER	47	90145	1	C/BREAKER 30A. ALL UNITS
10	66849	2	M5-0.8 x 16 LG. TAPTITE	48	25105	4	#6-32 W/LOCK WASHER SCREW
11	27756	4	NYLON WASHER	49	86315	1	PANEL COVER
12	86314	1	GENERATOR TOP HOUSING	50	90734	4	M4-0.7 x 16 LG. CAPSCR. W/LOCKWASHER & FLAT WASHER
13	75234	1	RESISTOR				
14	22473	3	M6-FLAT WASHER	51	22985	1	M4 FLAT WASHER
15	22097	5	M6-LOCK WASHER	52	32300	1	FUSE HOLDER
16	74095	1	M6-1.0 x 60LG. CAPSCREW	53	22676	1	FUSE AGC-15A.
17	90141	2	GROUND CABLE	54	87798	1	SWITCH S.P.D.T. 6A (START-STOP).
18	22447	1	SHAKEPROOF LOCK WASHER	55	92113	1	SWITCH S.P.D.T.-(FUEL PUMP)
19	74906	4	M6-1.0 x 20 LG. TAPTITE	56	75210A	1	TERMINAL BLOCK
20	92234	1	CONTROLLER P.C.B.	57	23365	1	M4 SHAKEPROOF WASHER
21	10-74260	1	STARTER CABLE	58	51715	1	M4-0.7 HEX NUT
22	22129	2	5/16 LOCK WASHER	59	90157	1	DECAL, CB RATING 30A.
23	22259	2	5/16-18 HEX NUT	60	90156	1	DECAL, CB RATING 20A.
24	86316	1	PANEL SHEET METAL	61	89438A	1	DECAL, CUSTOMER CONNECTION-50, 52, & 55
25	53650	1	4-PIN CONNECTOR		89438B	1	DECAL, CUSTOMER CONNECTION-66, 70, & 72
26	20575	1	CONNECTOR				
27	75244	1	REMOTE HARNESS				
28	66476	2	M6-1.0 x 12MM CAPSCREW-W/LOCKWASHER	62	31791	1	CLAMP, HOSE
29	86729	1	STARTER CONTACTOR	63	23897	2	M5 FLAT WASHER
30	75476	3	M4-0.7 x 16 LG. CAPSCREW	64	74908	1	M5 x 10 LONG TAPTITE
31	22264	4	M4 LOCK WASHER	65	23484S	1	BUSHING
32	65795	1	BATTERY CHARGE RECTIFIER	66	75763-A	1	BOOT, BATTERY CABLE
33	90987	2	M3-0.5 x 12 LG. CAPSCREW				

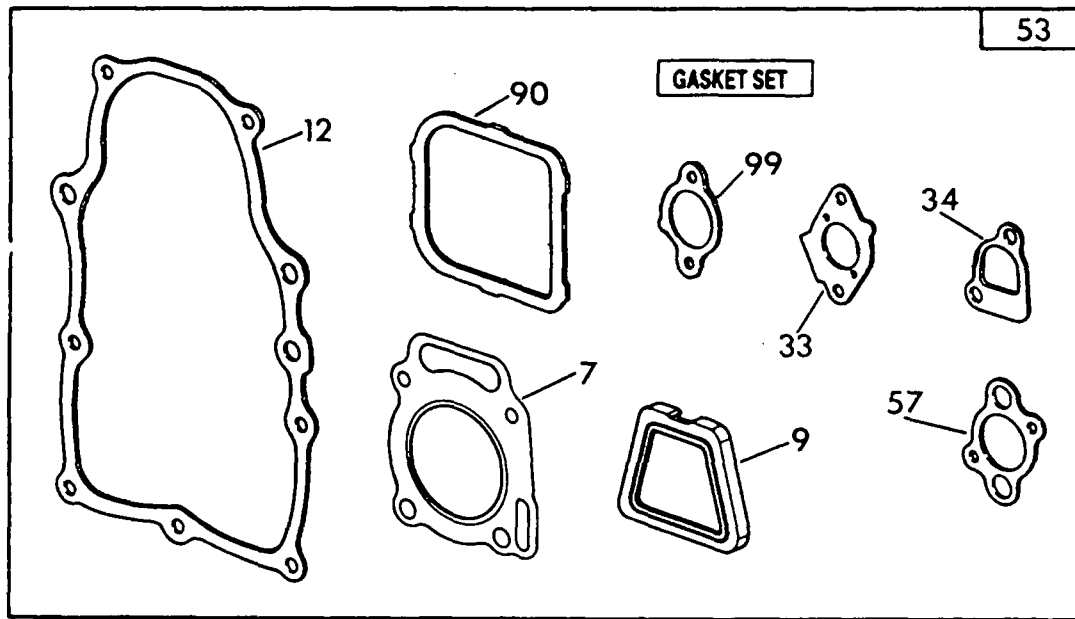
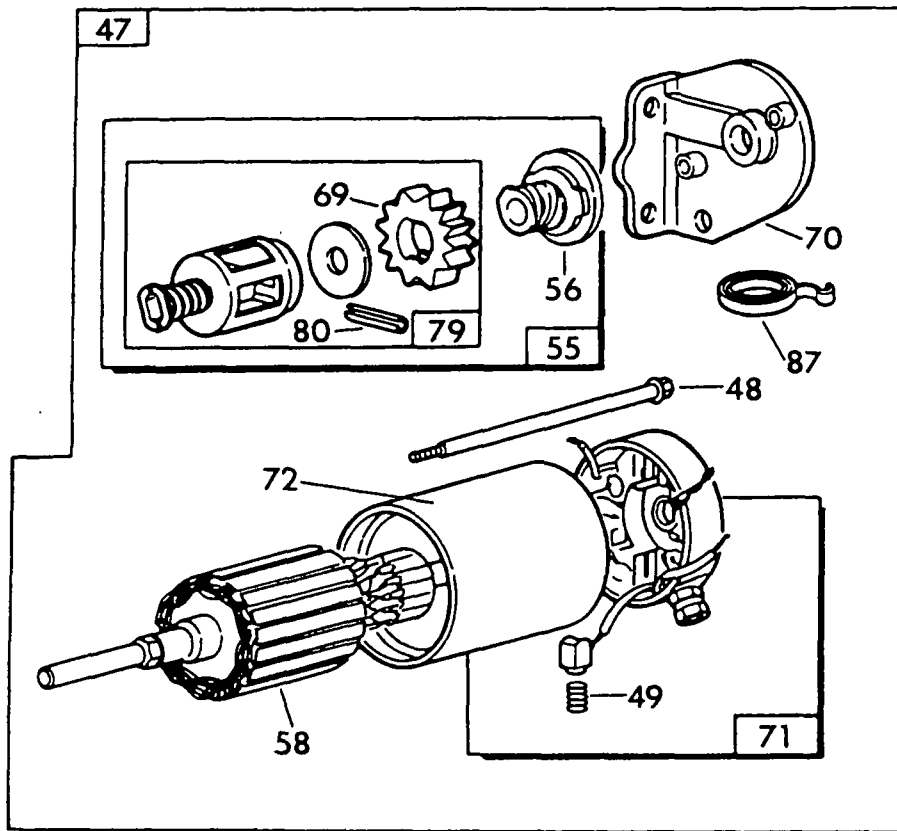
EXPLODED VIEW — ENGINE

Drawing No. 79216



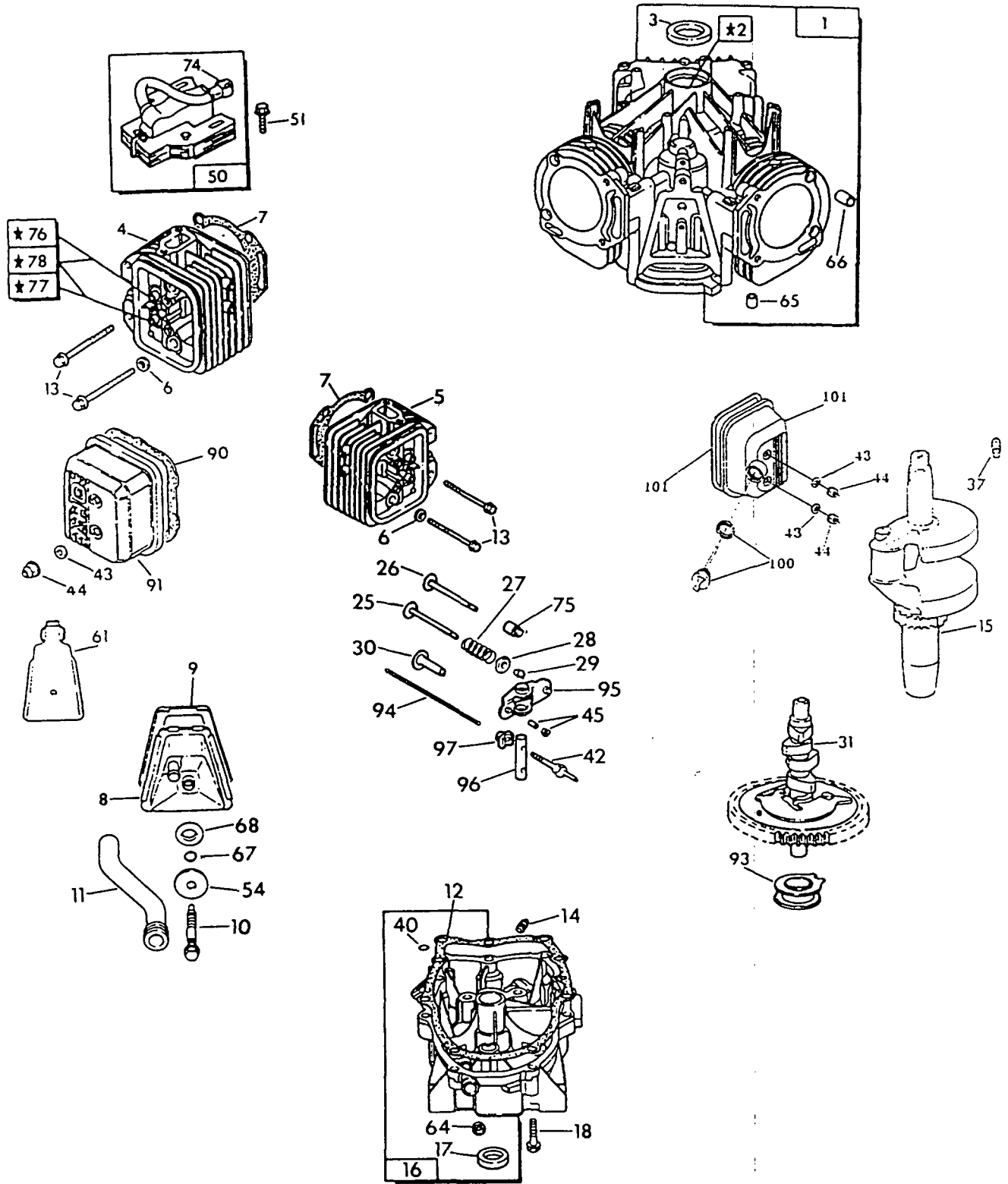
EXPLODED VIEW — ENGINE

Drawing No. 79216



EXPLODED VIEW — ENGINE

Drawing No. 79216



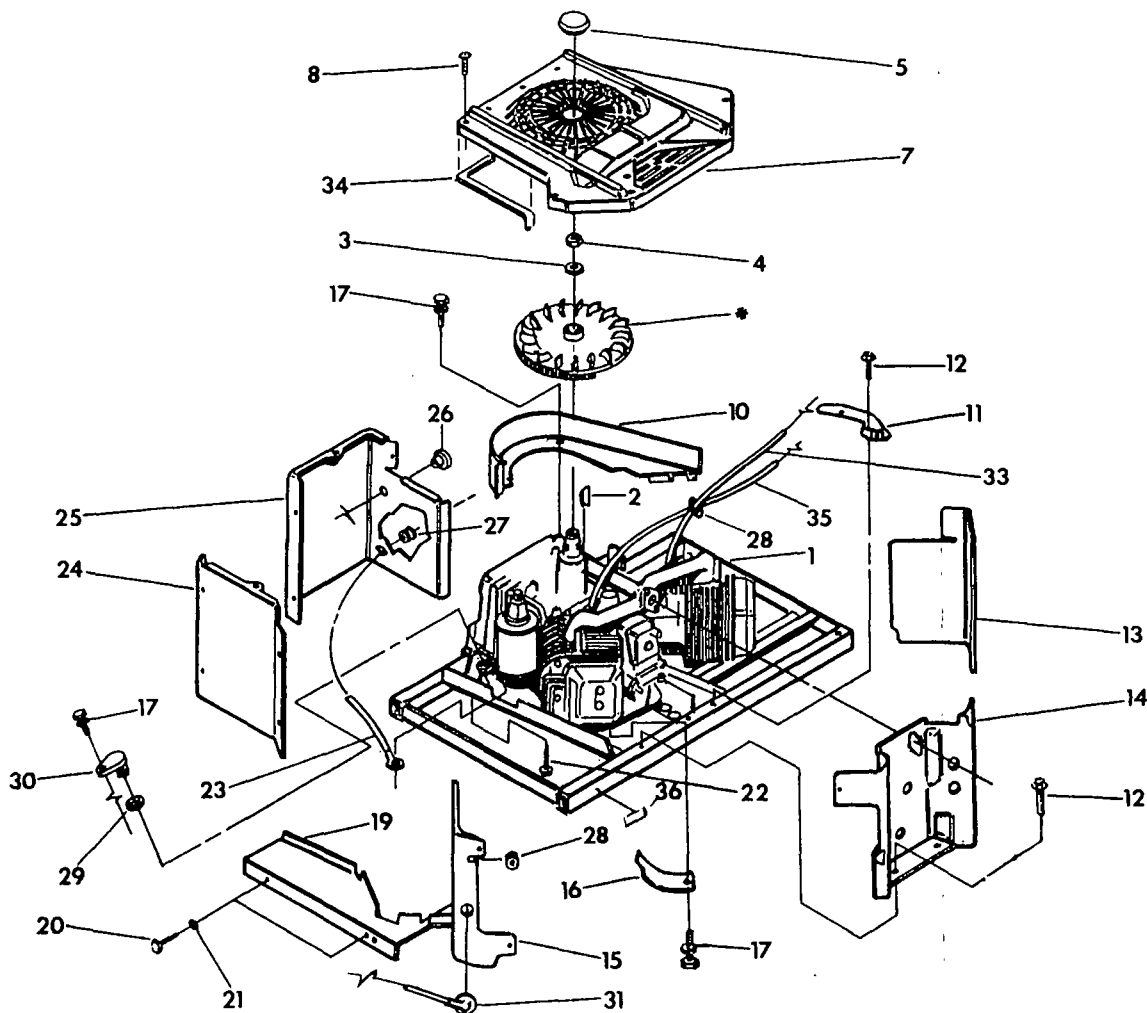
REPAIR PARTS — ENGINE

Drawing No. 79216

ITEM	PART NO.	QTY.	DESCRIPTION	ITEM	PART NO.	QTY.	DESCRIPTION
1	69331	1	CYLINDER ASSEMBLY	52	72347	2	SPARK PLUG-CHAMPION R12YC
2	69333	1	SLEEVE BEARING-30 DIA.	53	75258	1	GASKET KIT-ENGINE
3	67805	1	OIL SEAL-30 DIAMETER	54	75259	1	WASHER, BREATHER SCREW
4	79234	1	CYLINDER HEAD ASSEM.-NO. 1	55	75260	1	STARTER DRIVE ASSEMBLY
5	79235	1	CYLINDER HEAD ASSEM.-NO. 2	56	75261	1	CLUTCH ASSEMBLY
6	70169	4	SEALING WASHER	57	66480	1	GASKET, AIR CLEANER
7	69332	2	GASKET-CYLINDER HEAD	58	75269	1	ARMATURE ASSEMBLY
8	72301	1	BREATHER ASSEMBLY	59	72361	1	BUSHING, GOVERNOR SHAFT
9	72315	1	GASKET, BREATHER	60	72362	1	BUSHING, GOVERNOR SHAFT
10	70190	1	SCREW, BREATHER	61	70199	1	BAFFLE, BREATHER
11	70596	1	TUBE, BREATHER	62	72366	1	COTTER PIN
12	69336	1	GASKET, OIL SUMP	63	72367	1	GOVERNOR FORK
13	69325	8	BOLT, CYLINDER HEAD	64	72365	1	WASHER, GOVERNOR SHAFT
14	67888	2	PLUG, OIL DRAIN-3/8" NPT	65	68555	2	DOWEL, CRANKCASE
15	72334	1	CRANK SHAFT ASSEMBLY	66	67806	4	DOWEL, CYLINDER HEAD
16	75247	1	OIL SUMP ASSEMBLY	67	75262	1	SEAL, BREATHER SCREW
17	67924	1	OIL SEAL-35 DIAMETER	68	75263	1	SEAL, BREATHER SCREW
18	67878	9	BOLT, OIL SUMP	69	75264	1	STARTER GEAR
19	75248	2	PISTON ASSEMBLY-STANDARD	70	75265	1	STARTER END CAP ASSEMBLY
20	75249	2	RING SET- PISTON-STANDARD	71	75266	1	COMMUTATOR CAP ASSEMBLY
21	69327	4	LOCKING RING, PISTON	72	75267	1	STARTER HOUSING ASSEM.
22	75250	2	PISTON PIN-STANDARD	73	68572	2	SCREW, OIL PUMP
23	75251	2	CONNECTING ROD ASSEMBLY	74	75272	2	TERMINAL, SPARK PLUG
24	72346	4	BOLT, CONNECTING ROD	75	70122	2	SEAL, VALVE STEM
25	69316	2	EXHAUST VALVE	76	67910	2	SEAT, INTAKE VALVE
26	69317	2	INTAKE VALVE	77	67911	2	SEAT, EXHAUST VALVE
27	67816	4	VALVE SPRING	78	67813	4	VALVE, GUIDE
28	69320	4	RETAINER, VALVE SPRING	79	75268	1	RETAINER AND PIN
29	70513	4	KEEPER, VALVE	80	75270	1	ROLL PIN
30	70584	4	TAPPET, VALVE	81	70592	1	AIR CLEANER BASE
31	70530	1	CAMSHAFT ASSEMBLY	82	73123	1	AIR FILTER (FLAME RETARDENT)
32	72358	1	INTAKE MANIFOLD	83	70593	1	COVER, AIR CLEANER
33	69379	2	GASKET, CARBURETOR MNTG.	84	72300	1	SCREW, AIR CLEANER COVER
34	67895	2	GASKET, INTAKE MANIFOLD	85	67156	2	SCREW, AIR CLEANER BASE
35	70594	2	BOLT, CARBURETOR MNTG.	86	69341	1	PRE-FILTER
36	67158	4	BOLT, INTAKE MANIFOLD MNT.	87	80011	1	SPRING, BRUSH SET
37	68574	1	PIPE-PLUG, 1/8" NPT	88	70597	1	TUBE, AIR INLET
38	68554	1	SEAL, GOVERNOR SHAFT	89	69358	1	DEFLECTOR-BREATHER
39	68573	1	O-RING, OIL PUMP	90	67920	2	GASKET, VALVE COVER
40	70506	1	O-RING, OIL GALLEY	91	69328	1	ROCKER ARM COVER
41	70554	1	SPACER, CARBURETOR	92	70547	1	OIL PUMP ASSEMBLY
42	70568	4	STUD, ROCKER ARM	93	70536	1	GOVERNOR SLIDER
43	75253	4	SEAL, WASHER-VALVE COVER	94	70577	4	PUSH ROD
44	67885	4	NUT, NYLOK-M6	95	70599	4	ROCKER ARM ASSEMBLY
45	75254	4	SCREW, VALVE ADJUST	96	70567	2	SHAFT-ROCKER ARM
46	70535	1	SCREEN, OIL	97	70566	4	SUPPORT, ROCKER ARM
47	75255	1	STARTER MOTOR	98	75271	1	KIT-VALVE OVERHAUL
48	75256	2	BOLT, STARTER MOTOR	99	67897	2	GASKET, EXHAUST
49	75257	4	BRUSH ASSEMBLY	100	91481	1	GASKET & CAP ASSEMBLY
50	67891	1	IGNITION ARMATURE ASSEM.	101	91480	1	ROCKER ARM COVER
51	72356	2	SCREW, IGNITION ARMATURE				

REPAIR PARTS — ENGINE SHEET METAL

Drawing No. 89403



ITEM	PART NO.	QTY.	DESCRIPTION	ITEM	PART NO.	QTY.	DESCRIPTION
1	-----	1	SEE ENGINE EXPLODED VIEW OF ENGINE	20	42907	2	CAPSCREW, HEX HEAD M8-1.25 x 16MM
2	99258	1	KEY, WOODRUFF-6 x 22MM	21	22129	2	LOCKWASHER-M8
3	67198-N	1	WASHER, BELLEVILLE	22	75246	4	SCREW(TAPTITE) 3/8"-16 x 1-1/4"
4	67890	1	NUT, HEX-M20-1.50	23	10-74260	1	WIRE ASSEMBLY-NO. 16
5	87865	1	PLUG, FLYWHEEL ACCESS	24	74900	1	COVER, STARTER
7	86313	1	HOUSING, ENGINE TOP	25	73186	1	WRAPPER, CRANKCASE
8	56893	23	SCREW (CRIMPTITE) NO. 10-24 x 1/2"	26	81108	1	BUSHING, SNAP
10	87750	1	SCROLL, FLYWHEEL	27	22717-B	1	GROMMET-RUBBER
11	74916	1	COVER-BASE #2	28	22717-A	3	GROMMET-RUBBER
12	74908	9	SCREW (TAPTITE)-M5 x 10MM	29	67866	1	O-RING
13	73190	1	WRAPPER-NO. 2 CYLINDER	30	77001	1	PLUG, OIL FILL
14	78858	1	COVER, VALLEY	31	73132	2	BOOT, SPARK PLUG
15	78859	1	WRAPPER-NO. 1 CYLINDER	33	87858A	1	GROUND WIRE ASSEMBLY CYL. #1
16	74902	2	WRAPPER-BARREL	34	29289	2FT.	FOAM TAPE
17	66476	5	CAPSCREW, HEX HEAD M6-1.00 x 12MM W/LOCKWASHER	35	87858B	1	GROUND WIRE ASSEMBLY CYL. #2
19	73191	1	COVER, BASE #1 CYLINDER	36	50277	1	DECAL, OIL DRAIN