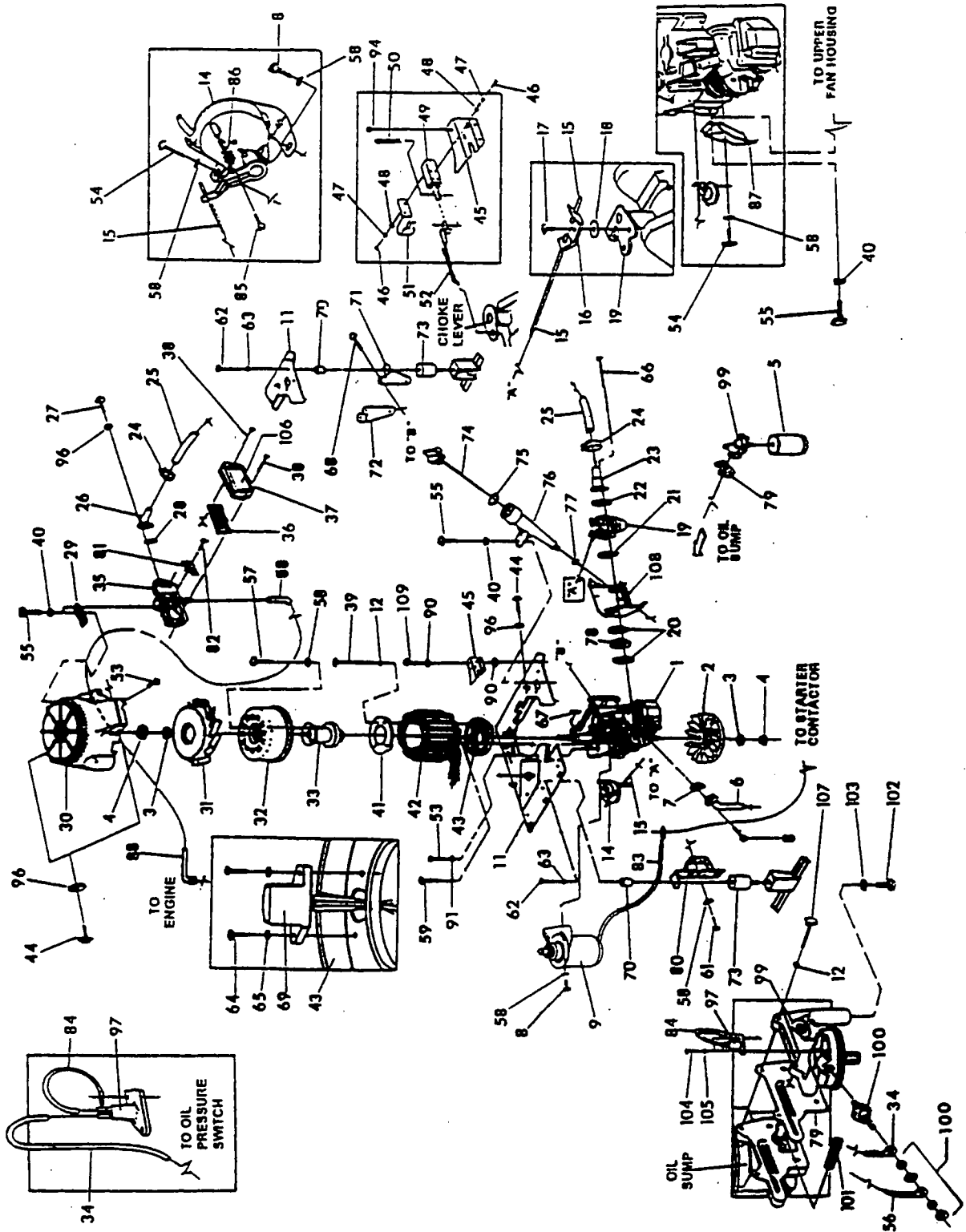


EXPLODED VIEW — GASOLINE GENERATOR

Drawing No. A6414



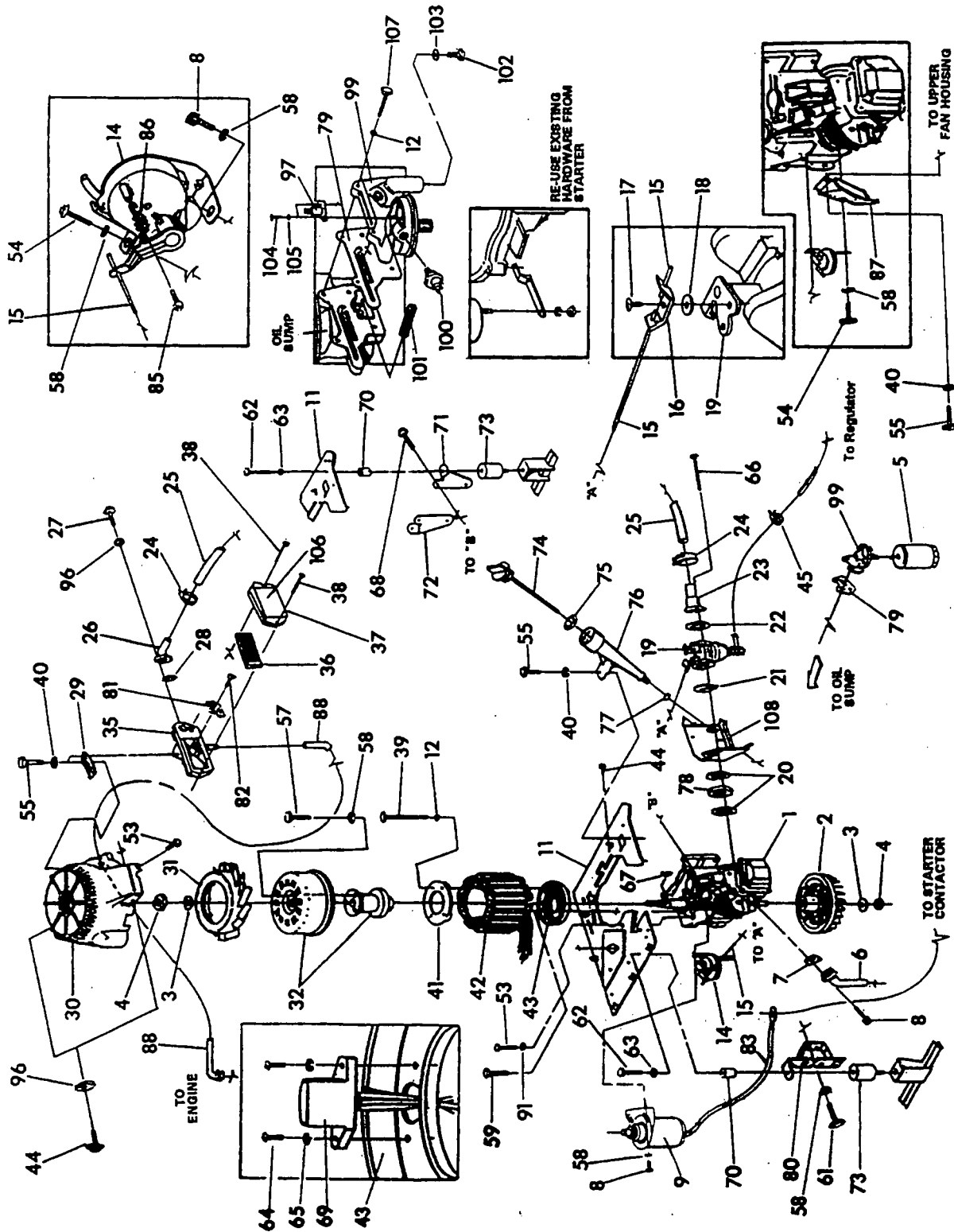
REPAIR PARTS — GASOLINE GENERATOR

Drawing No. A6414

ITEM	PART NO.	QTY.	DESCRIPTION	ITEM	PART NO.	QTY.	DESCRIPTION
1	A2467	1	ENGINE, LONG BLOCK	54	83512	1	TAPTITE M8-1.25 x 15 LG
2	94583	1	FLYWHEEL, FAN	55	91526	4	M5 - 0.8 X 12 MM CAPSCREW
3	83312	2	WASHER, CONICAL	56	005-91297	1	OIL PRESS. SWITCH WIRE
4	81810	2	HEX NUT, M16-1.5	57	42907	3	CAPSCR., M8-1.25 x 16 LG
5	70185	1	FILTER, OIL	58	22129	11	LOCKWASHER-M8
6	86730	1	TUBE, EXHAUST OUTLET	59	74906	4	CAPSCR., M6-1 x 20LG.
7	89476	1	GASKET, EXHAUST	61	39253	3	CAPSCR., M8-1.25 x 20 LG
8	40976	4	CAPSCR., M8-1.25 x 20 LG	62	22511	3	CAPSCR., 3/8"-16 x 1.25" LG
9	99948	1	STARTER	63	22237	3	LOCKWASHER-3/8"
11	86705	1	PLATE, DIVIDER	64	55822	2	PHMS, M4- .7 x 8 LONG
12	22097	9	LOCKWASHER, 1/4"-M6	65	22264	2	LOCKWASHER-M4
14	92059	1	STEPPER MOTOR	66	89050	2	MACH. SCR.-M6-1 x 90 LG
15	86706	1	ROD, THROTTLE CONTROL	67	82774	1	WOODRUFF KEY-4 x 19
16	89477	1	CLIP, ADJUSTMENT	68	59637	4	TAPTITE 3/8"-16 x .75" LG
17	89478	1	SNAP, RETAINING	69	86697	1	ASS.Y IGNITION SENSOR
18	90192	1	WASHER, CARBURETOR	70	86704	3	SPACER, ENGINE MOUNT
19	90881A	1	ASSEMBLY, CARBURETOR	71	86701	1	BRACK., ENGINE MOUNT FR
20	90051	2	GASK., CARB/SPACER/HEAD	72	86702	1	BRACK., ENGINE MOUNT RR
21	78631	1	GASKET, CARB./SKIRT	73	38353	3	RUBBER MOUNTS
22	96459	1	GASKET, CARB./INLET ADPT	74	89263	1	ASSEMBLY, OIL FILL CAP
23	86709	1	ADAPTOR, CARB. INLET	75	90071	1	O-RING, 1.062" I.D.
24	35586	2	HOSE CLAMP-BAND 1.50"	76	94637	1	OIL FILL TUBE
25	86710	1	HOSE, CARB. INLET	77	90072	1	O-RING .562" I.D.
26	87993	1	ELBOW, AIR CLEAN. OUT.	78	86708	1	CARBURETOR SPACER
27	49815	2	HEX HD. CAPSCR., M5-.8 x 16	79	87478	1	GASK., OIL FILT. ADAPTOR
28	90536	1	GASKET, AIR CLEAN. OUT.	80	96627	1	BRACK, START. SIDE ENG. MNT.
29	90021	1	BRCKT, AIR CLEAN. SUPP.	81	90613	1	COVER, BREATHER CANAL
30	94665	1	HOUSING, FAN-UPPER	82	59635	1	#8 x 3/8" PLASTITE SCREW
31	93859	1	FAN, GENERATOR	83	002-91297	1	STARTER WIRE
32	A5892	1	ASS'Y, MAGNET HOUSING	84	004-91297	1	TEMP SWITCH GR.D WIRE
33	91437	1	HUB, MAGNET HOUS. ASS'Y	85	59636	1	PLASTITE SCREW, #4 x .37 LG
34	003-91297	1	TEMP SWITCH WIRE	86	88905	1	EXTENSION SPRING
35	86673	1	BASE, AIR BOX	87	92800	1	WRAPPER, ENGINE TOP
36	78601	1	ELEMENT, AIR FILTER	88	89062	1	HOSE, BREATHER
37	86674	1	COVER, AIR BOX	90	23762	2	WASH., EXT. SHAKEPRF-#10
38	78609	2	BOLT, AIR CLEANER COV.	91	22447	3	WASH., INT. SHAKEPRF, .25"
39	66449C	4	HEX HD. CAPSCR., M6-1 x 80	94	23484P	1	SNAP BUSHING
40	49226	4	LOCKWASHER, M5	96	23897	5	#10-M5 FLAT WASHER
41	80934	1	RETAINING RING, STATOR	97	94090	1	SWITCH-THERM., OIL TEMP.
42	A6420	1	ASSEMBLY STATOR	99	86675A	1	ADAPTOR, OIL FILTER
43	86692	1	ADAPTOR, STATOR	100	77667	1	SWITCH, OIL PRESSURE
44	74908	3	TAPTITE, M5-0.8 x 10	101	86714	1	SCREEN, OIL PICK-UP
45	86735	1	COVER, CHOKE MOUNT	102	52617	1	DRAIN PLUG, M12 x 1.75" LG
46	47488	4	SCREW, 4-40 x .188"	103	94643	1	GASKET, OIL DRAIN PLUG
47	22159	4	LOCKWASHER-#4	104	74027	2	SCREW, M3 x 5" LONG
48	31879	4	FLATWASHER-#4	105	43182	2	LOCKWASHER, M3
49	91306	1	SOLENOID, CHOKE	106	A1627	1	AIR CLEANER DECAL
50	36544	1	PIN, COTTER 3/32" x 1/2" LG	107	92079	4	TAPTITE M6-1 x 25 LG
51	89473	1	ASS.Y, BI-METAL & HEATER	108	86726	1	SKIRT, BAFFLE
52	86736	1	LINKAGE, CHOKE CONT.	109	66849	2	TAPTITE, M5-0.8 x 16
53	45756	4	M6-1 x 10 TAPTITE				

EXPLODED VIEW — LP GENERATOR

Drawing No. A6413



REPAIR PARTS — LP GENERATOR

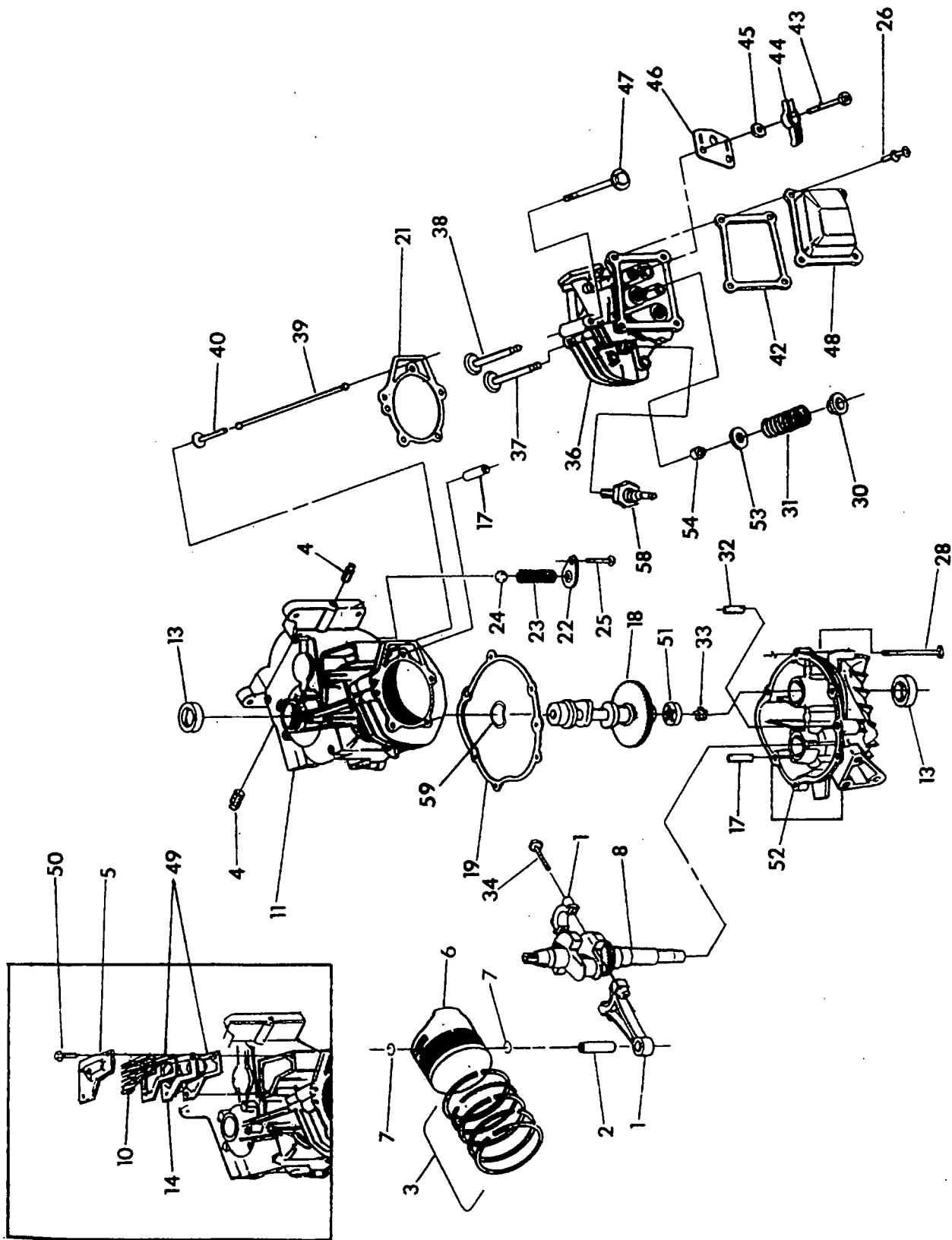
Drawing No. A6413

ITEM	PART NO.	QTY.	DESCRIPTION	ITEM	PART NO.	QTY.	DESCRIPTION
1	A2467	1	ENGINE, LONG BLOCK	57	42907	3	CAPSCR., M8-1.25 x 16 LONG
2	94583	1	FLYWHEEL, FAN	58	22129	10	LOCKWASHER-M8
3	83312	2	WASHER, CONICAL	59	74906	4	CAPSCR., M6-1 x 20LG. TAPTITE
4	81810	2	HEX NUT, M16-1.5	61	39253	3	CAPSCR., M8-1.25 x 20 LONG
5	70185	1	FILTER, OIL	62	22511	3	CAPSCR., 3/8"-16 x 1.25" LONG
6	86730	1	TUBE, EXHAUST OUTLET	63	22237	3	LOCKWASHER-3/8"
7	89476	1	GASKET, EXHAUST	64	55822	2	PHMS, M4-0.7 x 8 LONG
8	40976	4	CAPSCR., M8-1.25 x 20 LG.	65	22264	2	LOCKWASHER-M4
9	99948	1	STARTER MOTOR	66	60050	2	PHILLIPS PAN HD. MACH. SCREW- M6-1 x 90 LONG
11	86705	1	PLATE, DIVIDER				
12	22097	9	LOCKWASHER, 1/4"-M6	67	82774	1	WOODRUFF KEY-4 x 19
14	92059	1	STEPPER MOTOR	68	59637	4	TAPTITE 3/8"-16 x .75 LONG
15	86706	1	ROD, THROTTLE CONTROL	69	86697	1	ASSEMBLY IGNITION SENSOR
16	89477	1	CLIP, ADJUSTMENT	70	86704	3	SPACER, ENGINE MOUNT
17	89478	1	SNAP, RETAINING	71	86701	1	BRACKET, ENGINE MOUNT FR
18	90192	1	WASHER, CARBURETOR	72	86702	1	BRACKET, ENGINE MOUNT RR
19	A2774A	1	CARBURETOR ASSEMBLY	73	38353	3	RUBBER MOUNTS
20	90051	2	GASKET, CARB./SPACER/HEAD	74	89263	1	ASSEMBLY, OIL FILL CAP
21	78631	1	GASKET, CARBURETOR/SKIRT	75	90071	1	O-RING, 1.062" I.D.
22	96459	1	GASKET, CARB./INLET ADAPT.	76	94637	1	OIL FILL TUBE
23	86709	1	ADAPTOR, CARB. INLET	77	90072	1	O-RING .562" I.D.
24	35586	2	HOSE CLAMP-BAND 1.25"	78	86708	1	CARBURETOR SPACER
25	86710	1	HOSE, CARBURETOR INLET	79	87478	1	GASKET, OIL FILTER ADAPTOR
26	87993	1	ELBOW, AIR CLEANER OUTLET	80	96627	1	BRACKET, START SIDE ENG MNT.
27	49815	2	HEX HD. CAPSCR., M5-.8 x 16	81	90613	1	COVER, BREATHER CANAL
28	90536	1	GASKET, AIR CLEANER OUT.	82	59635	1	NO. 8 x 3/8" PLASTITE SCREW
29	90021	1	BRACKET, AIR CLEANER SUPP.	83	002-91297	1	STARTER WIRE
30	94665	1	HOUSING, FAN-UPPER	85	59636	1	PLASTITE SCREW, #4 x .37 LG
31	93859	1	FAN, GENERATOR	86	88905	1	EXTENSION SPRING
32	A5892	1	ASSEMBLY, MAGNET HOUSING	87	92800	1	WRAPPER, ENGINE TOP
35	86673	1	BASE, AIR BOX	88	89062	1	HOSE, BREATHER
36	78601	1	ELEMENT, AIR FILTER	91	22447	3	WASH., INT. SHAKEPROOF, .25"
37	86674	1	COVER, AIR BOX	96	23897	5	#10-M5 FLAT WASHER
38	78609	2	BOLT, AIR CLEANER COVER	97	94090	1	SWITCH, THERMAL OIL TEMP.
39	66449C	4	HEX HD. CAPSCR., M6-1 x 80	99	86675A	1	ADAPTOR, OIL FILTER
40	49226	6	LOCKWASHER, M5	100	77667	1	4 PSI OIL PRESSURE SWITCH
41	80934	1	RETAINING RING, STATOR	101	86714	1	SCREEN, OIL PICK-UP
42	A6420	1	ASSEMBLY STATOR	102	52617	1	DRAIN PLUG, M12 x 1.75" LONG
43	86692	1	ADAPTOR. STATOR	103	94643	1	GASKET, OIL DRAIN PLUG
44	74908	3	TAPTITE, M5-0.8 x 10	104	74027	2	SCREW, M3 x 5" LONG
45	57822	1	CLAMP, HOSE	105	43182	2	LOCK WASHER-M3
53	45756	3	M6-1 x 10 TAPTITE	106	A1643	1	A/C DECAL
54	83512	1	TAPTITE M8-1.25 x 15 LONG	107	92079	4	TAPTITE, M6-1 x 25 LONG
55	91526	4	CAPSCR., M5-0.8 x M12	108	86726	1	SKIRT, BAFFLE

EXPLODED VIEW — ENGINE LONG BLOCK

Drawing No. A6202

DATE: AUG.10, 1998



REPAIR PARTS — ENGINE LONG BLOCK

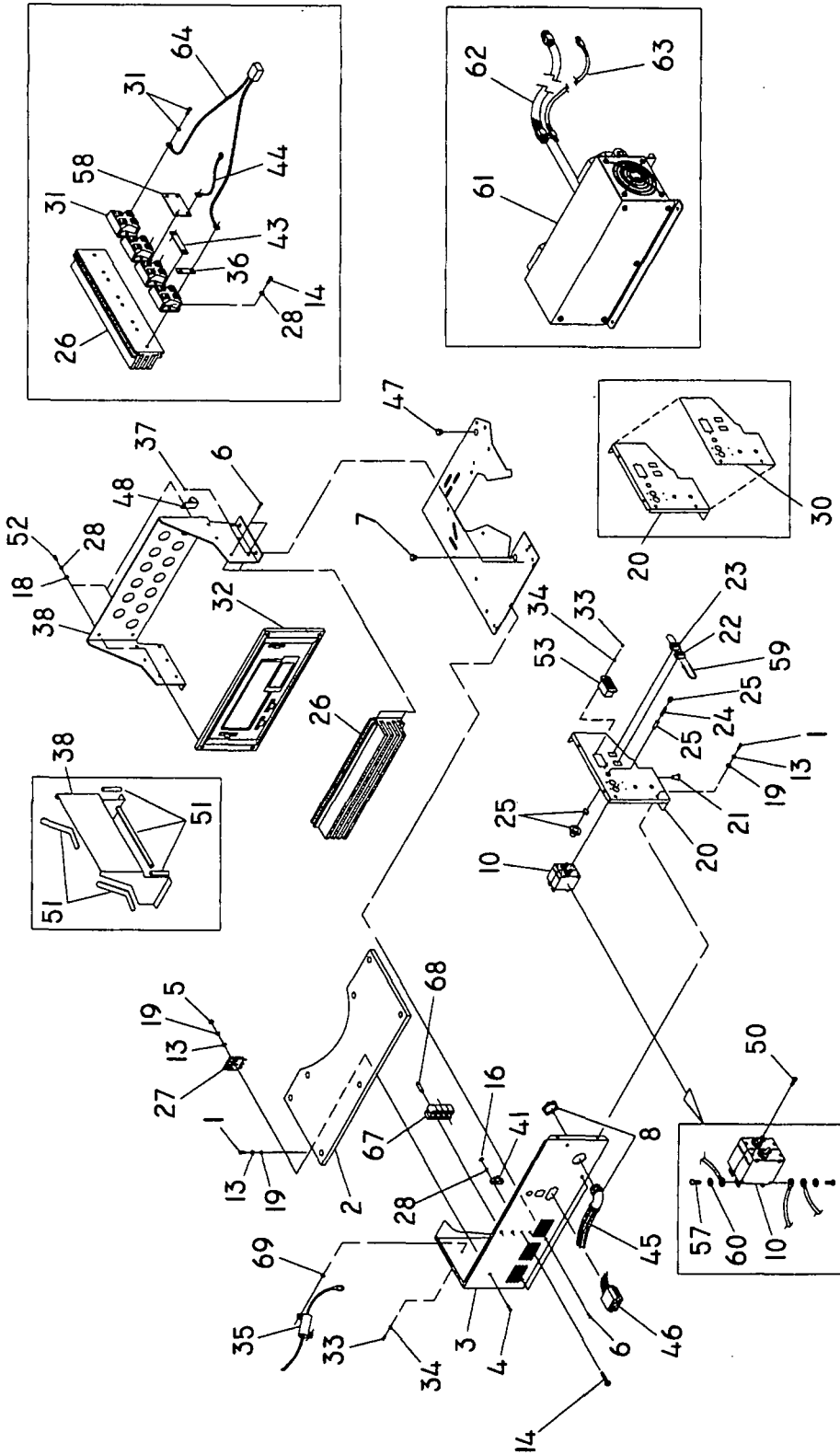
Drawing No. A6202

DATE: AUG.10, 1998

ITEM	PART NO.	QTY.	DESCRIPTION
1	76380	1	ASSEMBLY, CONNECTING ROD & CAP
2	76389	1	PISTON PIN
3	88411	1	SET, PISTON RING (STD. SIZE)
4	72657	2	PIPE PLUG-1/4 NPT
5	77176	1	COVER, BREATHER
6	88057	1	PISTON, 75 DIA.
7	76390	2	RETAINER, PISTON PIN
8	83379A	1	ASSEMBLY, CRANKSHAFT AND GEAR
10	89923	1	SEPARATOR, OIL BREATHER
11	89213L	1	ASSEMBLY, CRANKCASE
13	81695	2	SEAL, OIL-CRANKSHAFT
14	90604	1	CUP, BREATHER BAFFLE
17	78699B	3	SLEEVE, DOWEL Ø 12
18	A2477	1	ASSEMBLY, CAMSHAFT
19	89096	1	GASKET, CRANK CASE FLANGE
21	21704	1	GASKET, CYLINDER HEAD
22	78691	1	RETAINER, OIL PRESSURE SPRING
23	A5772	1	SPRING, OIL PRESSURE
24	A5776	1	BALL, OIL PRESSURE
25	78692	1	BOLT, THREAD FORMING-M5
26	78606	4	SCREW & LOCK WASHER, M6-1 x 12 LONG
28	89230	6	HHFC, M8-1.25 x 35 LONG
30	86293	2	RETAINER, VALVE SPRING
31	88401	2	SPRING, VALVE
32	88590	1	DOWEL PIN, ^a 12 x 18 LONG
33	83152	1	GEROTOR, INNER
34	76381	2	BOLT, CONNECTING ROD
36	21705B	1	ASSEMBLY, CYLINDER HEAD W/GUIDES & SEATS
37	90082	1	VALVE, EXHAUST
38	90081	1	VALVE, INTAKE
39	88396A	2	PUSH ROD
40	83235	2	TAPPET
42	96362	1	GASKET, ROCKER COVER
43	77161	2	STUD, BALL PIVOT
44	77160	2	ROCKER ARM
45	76307	2	NUT, ROCKER ARM
46	88403	1	PLATE, PUSH ROD GUIDE
47	77168	5	HEADBOLT, M8 x 52MM
48	88413B	1	COVER, ROCKER
49	78629	2	GASKET, BREATHER
50	90388	2	BOLT, TAPTITE-M6 x 12 LONG
51	83153	1	GEROTOR, OUTER
52	92977	1	ASSEMBLY-SUMP, OIL
53	84186	2	WASHER, WEAR-VALVE SPRING
54	88156	1	SEAL VALVE-INTAKE
58	72347	1	SPARKPLUG, CHAMPION RC12YC
59	99922	1	WASHER, WAVE

EXPLODED VIEW — CONTROL PANEL

Drawing No. A9192



**ITEMS #49, 65 & 66-HARNESSES- NOT SHOWN FOR CLARITY

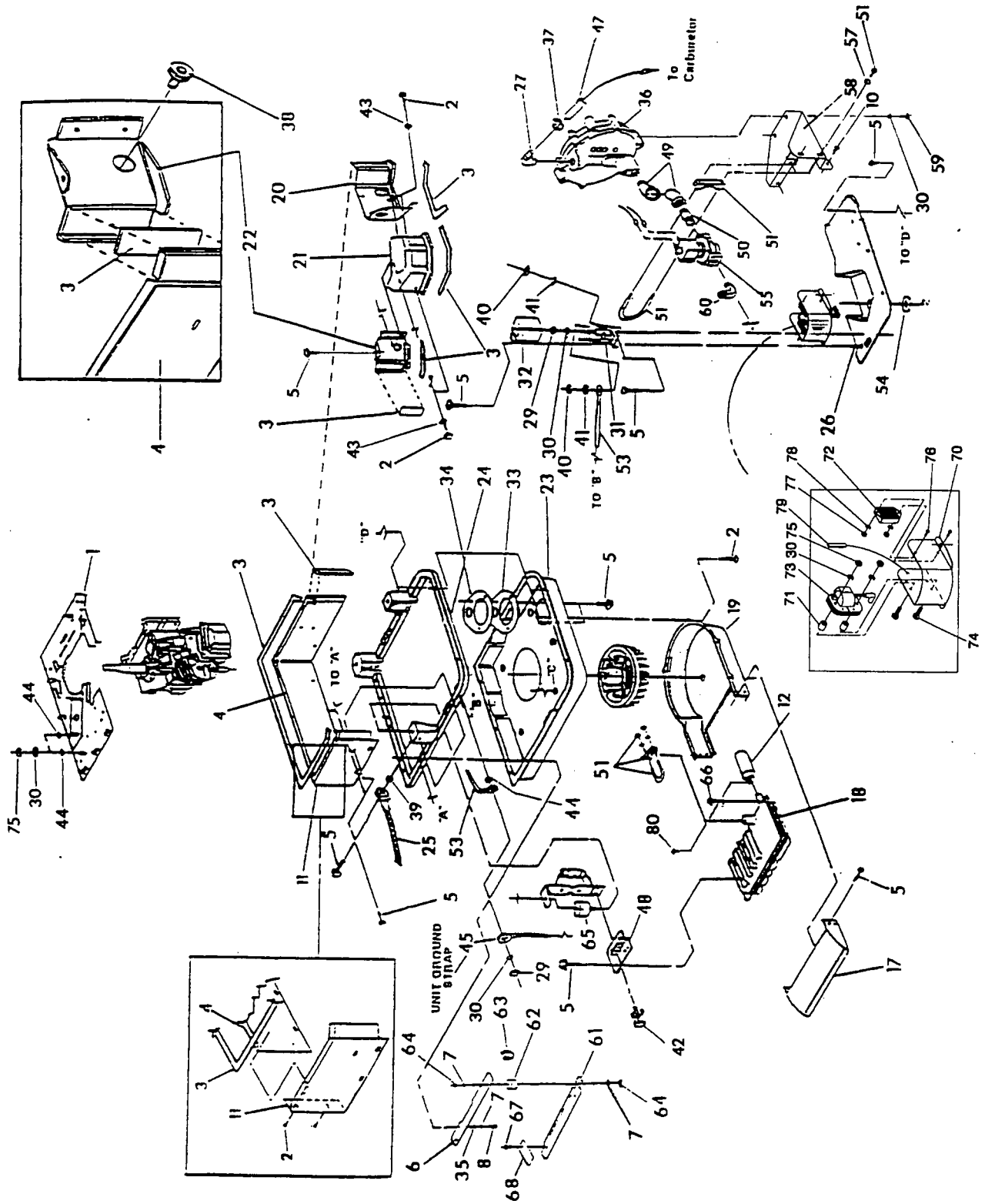
REPAIR PARTS — CONTROL PANEL

Drawing No. A9192

ITEM	PART NO.	QTY.	DESCRIPTION	ITEM	PART NO.	QTY.	DESCRIPTION
1	91526	7	M5-0.8 x 12MM PHILLIPS	37	45756	4	TAPTITE M6- 1.0 x 10MM
2	20093	1	BOX, CONTROL TOP	38	86722	1	BRACKET, HEAT SINK-PCB
3	A9180	1	BOX, CONTROL PANEL	41	75210A	1	TERMINAL BLOCK
4	36937	1	#10-32 x 1" PHILLIPS HD. SCR.	43	A6423B	4	BUS BAR, INNER
5	22158	1	#10-32 HEX NUT	44	025-91297	1	GROUND WIRE
6	74908	8	TAPTITE M5- .8 x 10MM	45	A6470	1	DC POWER HARNESS
7	23484M	1	SNAP BUSHING	46	91' 69A	1	REMOTE PANEL HARNESS
8	20107	1	90° CONNECTOR	47	23484D	1	SNAP BUSHING
10	A8592	1	CIRCUIT BREAKER, 10A.	48	82121A	1	CLAMP, CONT. PAN. HARN.
13	49226	8	LOCK WASHER-M5	49	A9183	1	**HARNESS, CONT. PANEL
14	75476	10	M4-0.7 X 16MM	50	25105	4	#6-32 x 1/4" PHILLIPS RND HD. MACH. SCREW
16	51715	2	M4-0.7 HEX NUT	51	84867	5	RUBBER U-CHANNEL
18	22985	4	M4 FLAT WASHER	52	51718	4	M4-0.7 x 10MM CAPSCREW
19	23897	9	M5 FLAT WASHER	53	77604	1	HOUR METER
20	A9174	1	CONTROL PANEL, FRONT	57	36933	4	PPHMS 10-32 x 3/8" LG
21	30809	1	RUBBER GROMMET	58	A6423C	1	BUS BAR, CENTER
22	87798	1	SWITCH, SPDT ROCKER	59	29333A	1	BLACK TIE WRAP, 7" LG
23	92113	1	SWITCH, SPSTMOM ROCKER	60	23762	4	SHAKEPROOF EXT. #10
24	22676	1	FUSE, 15A. AGC	61	A6187	1	INVERTER ASSEMBLY
25	32300	1	FUSE HOLDER	62	A6429	1	WIRE HARN., 7 CONDUCTOR
26	A6422	1	EXTRUSION, CONTROLLER	63	A6430	1	WIRE HARN., 2 CONDUCTOR
27	65795	1	RECTIFIER, BATT. CHARGE	64	A6464	1	WIRE HARN.-HEATSINK-PCBI
28	22264	14	LOCK WASHER-M4	65	A6516	1	**HARNESS-PCBI TO PANL.
30	A6436	1	PANEL DECAL	66	A6700	1	**HARNESS-HEATSINK TO TERM. BLOCK
31	96874	4	DIODE, DUAL 30A	67	A6499A	1	TERM. BLOCK, 4 POSITION
32	A6060	1	ASSEMBLY, PCB CCG	68	33472	2	POP RIVET
33	43181	4	PHMS M3-.05 x 10	69	51714	2	M3-.05 NUT
34	43182	4	LOCK WASHER-M3				
35	89744	1	RESISTOR, POWER 1 OHM				
36	A6423A	2	BUS BAR, OUTER				

EXPLODED VIEW — LP ENGINE SHEET METAL

Drawing No. A9193



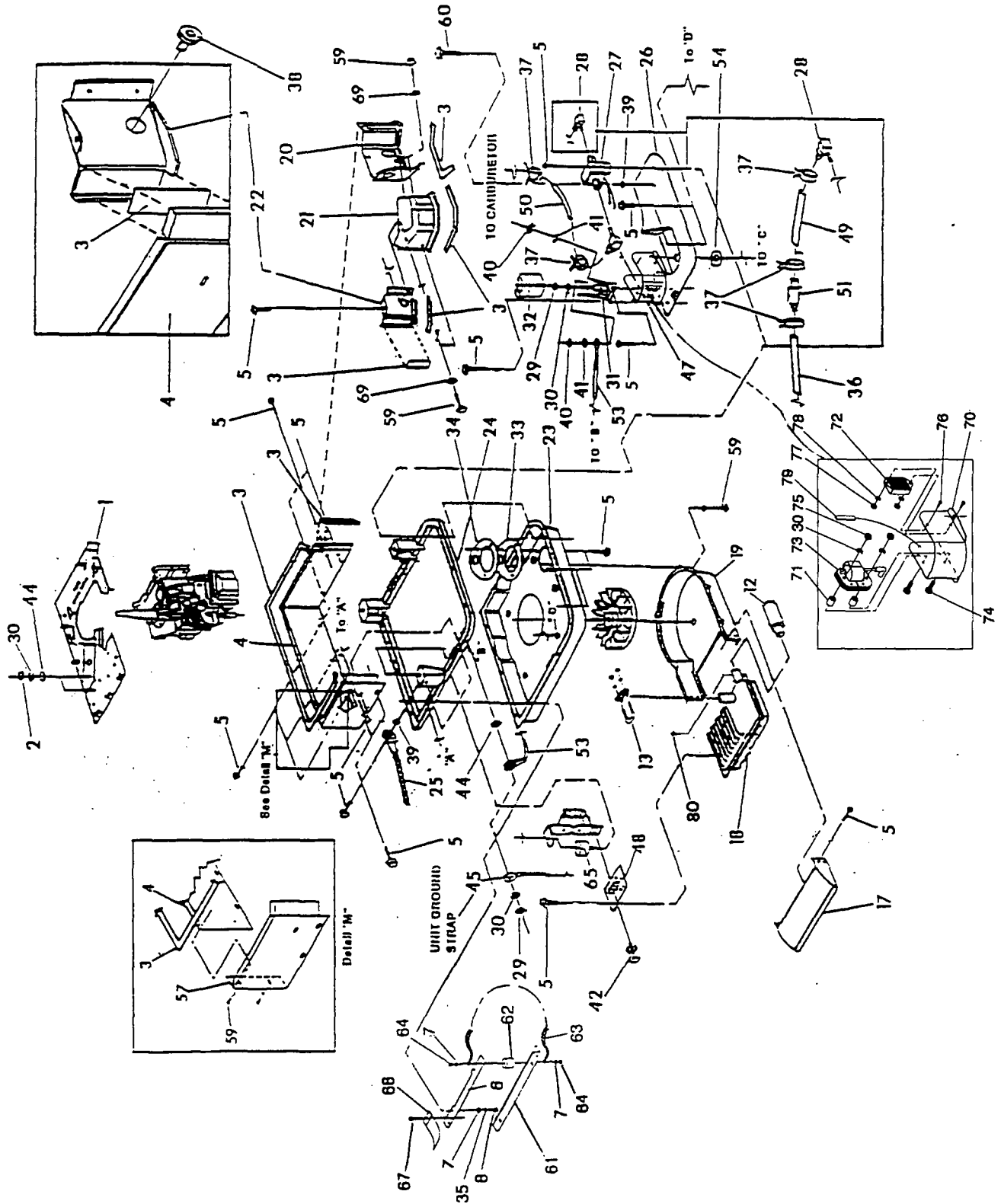
REPAIR PARTS — LP ENGINE SHEET METAL

Drawing No. A9193

ITEM	PART NO.	QTY.	DESCRIPTION	ITEM	PART NO.	QTY.	DESCRIPTION
1	86705	1	PLATE, DIVIDER	45	74260-103	1	GROUND STRAP, UNIT
2	56893	11	CRIMPTITE 10-24 x 1/2"	47	47290	1	HOSE-3/8 I.D. x 11- 1/2" LONG
3	86718	3.5FT.	SEAL RUBBER EXTRUSION	48	92000	1	BRACKET, MUFF. HANGER
4	A3666	1	BOX, WRAPPER	49	25425	2	STREET ELB. 45 ° 3/4" NPT
5	74908	30	TAPTITE, M5- .8 x 10 LONG	50	26490	1	PIPE NIPPLE 3/4" x 2"
6	A3667	2	MOUNTING RAILS	51	94670	2	"U" BOLT W/SADDLE & 2-NUTS
7	22129	12	M8 LOCK WASHER	53	91297-007	1	STARTER CONTACTOR
8	39414	4	M8-1.25 x 35MM CAPSCR.				GROUND WIRE
10	75494	2	SELF DRILL. SCREW #10-16 X 5/8"	54	89045	1	SEAL, WASHER EXHAUST PIPE
11	A3638	1	WRAPPER, END PANEL	55	A2666	1	FUEL SOLENOID 12VDC
12	89680	1	SPARK ARRESTER	57	22145	2	5/16" FLAT WASHER
17	89471	1	DEFLECTOR, AIR OUT	58	A4603	1	BRACKET L/P
18	86731A	1	ASSEMBLY, MUFFLER	59	22507	2	CAPSCR., HEX HD.- 1/4"-20 x 1/2" LG
19	86715	1	HOUSING, LOWER FAN	60	A5606	1	LP HOOK-UP FITTING
20	86726	1	SKIRT, CARB. BAFFLE	61	A3764	2	CUSTOMER MOUNTING BRACKET
21	86671	1	COVER, ROCKER COVER	62	66443B	4	VIBRATION MOUNT
22	86727	1	SKIRT, SPARK PLUG SIDE	63	20668	2	EARTHING STRAP
23	86719	1	PAN, BELLY	64	45771	8	HEX NUT-M8
24	20519	1	FRAME	65	38353	3	VIBRATION MOUNT
25	90141A	1	GROUND STRAP	66	56892	1	CRIMPTITE #10-24 X 3/8
26	86724	1	PLATE, BASE COVER	67	79119	2	1/4"-20 TAPTITE
27	43790	1	90 ° BARB. FITG. 3/8" x 3/8" NPT	68	A7213	2	TAG, BOLT REMOVAL
29	22127	5	HEX NUT, 1/4"-20	69	A5767	1	HHCS M5-0.8 X 6MM
30	22097	9	LOCK WASHER-1/4"/M6	70	A9172	1	BRACKET, IGNITION SYSTEM
31	86729	1	CONTACTOR, STARTER	71	89047	2	SPACER, IGNITION COIL
32	90518	1	BOOT, CONTACTOR	72	86711	1	MODULE, IGNITION
33	89048	1	SEAL, OIL FILTER HOLE	73	89049	1	ASSY., IGNITION COIL
34	90537	1	RETAINER, SEAL	74	49721	2	M6-1.0 X 35MM HEX HD. CAPSCREW
35	22145	4	FLAT WASHER-M8	75	49813	4	M6-1.0 HEX NUT
36	75211	1	REGULATOR	76	91526	2	M5-0.8 X 12MM PHILLIPS PAN HD. MACH. SCREW
37	40173	1	HOSE CLAMP	77	51716	2	M5-0.8 HEX NUT
38	23484D	1	SNAP BUSHING	78	49226	2	LOCK WASHER, M5
39	23762	2	EXT. SHAKEPROOF-#10	79	84867	2.5"	RUBBER "U" CHANNEL
40	22471	2	#8-32 HEX NUT	80	56892	1	CRIMPTITE #10-24 X 3/8"
41	22264	2	#8 LOCK WASHER				
42	79246	2	CAPSCR., M6-1.0 x 16 LG- W/LOCK WASHER				
43	23897	4	FLAT WASHER #10/M5				
44	22447	3	WASHER, INTERNAL SHAKE PROOF, 1/4"/M6				

EXPLODED VIEW — GASOLINE ENGINE SHEET METAL

Drawing No. A9194



REPAIR PARTS — GASOLINE ENGINE SHEET METAL

Drawing No. A9194

ITEM	PART NO.	QTY.	DESCRIPTION	ITEM	PART NO.	QTY.	DESCRIPTION
1	86705	1	PLATE, DIVIDER	45	103-74260	1	GROUND STRAP, UNIT
2	49813	2	M6-1.0 HEX NUT	47	39450	1	1/8" x 3/16" NPT 90 DEG. BARBED FITTING
3	86718	3.5 ft.	SEAL RUBBER EXTRUSION	48	92000	1	BRACKET, MUFFLER HANGER
4	A3666	1	WRAPPER, BOX	49	30340	1	1/4" FUEL LINE (8" LONG)
5	74908	31	TAPTITE, M5-.8 x 10 LONG	50	82580D	1	3/16" CARBURETOR LINE (4" LONG)
6	A3667	2	MOUNTING RAILS	51	86311	1	FUEL FILTER
7	22129	12	M8 LOCK WASHER	53	007-91297	1	STARTER CONTACTOR GROUND WIRE
8	39414	4	M8-1.25 x 35MM CAPSCR.	54	89045	1	SEAL, WASHER EXHAUST PIPE
12	89680	1	SPARK ARRESTOR	57	A3638	1	PANEL, WRAPPER BOX
13	94670	1	U-BOLT, W/SADDLE & NUTS	59	56893	11	CRIMPTITE, #10-24 x 1/2"
17	89471	1	DEFLECTOR, AIR OUT	60	A5767	1	HEX HD. CAPSCR., M5-0.8 x 6 LONG
18	86731A	1	ASSEMBLY, MUFFLER	61	A3764	2	CUSTOMER MOUNTING BRACKET
19	86715	1	HOUSING, LOWER FAN	62	66443B	4	VIBRATION MOUNT
20	86726	1	SKIRT, CARB. BAFFLE	63	20668	2	EARTHING STRAP
21	86671	1	COVER, ROCKER COVER	64	45771	8	HEX NUT-M8
22	86727	1	SKIRT, SPARK PLUG SIDE	65	38353	3	VIBRATION MOUNT
23	86719	1	PAN, BELLY	67	79119	2	TAPTITE 1/4"-20
24	20519	1	FRAME	68	A7213	2	TAG, REMOVE BOLT
25	90141A	1	GROUND STRAP	69	23897	4	FLAT WASHER #10/M5
26	86724	1	PLATE, BASE COVER	70	A9172	1	BRACKET, IGNITION SYS.
27	90475	1	PUMP, FUEL	71	89047	2	SPACER, IGNITION COIL
28	28740	1	BARBED 90 1/8" x 1/4"	72	86711	1	MODULE, IGNITION
29	22127	3	HEX NUT, 1/4"-20	73	89049B	1	ASSY., IGNITION COIL
30	22097	7	LOCK WASHER-1/4"/M6	74	49721	2	M6-1.0 X 35MM HEX HD. CAPSCREW
31	86729	1	CONTACTOR, STARTER	75	49813	4	M6-1.0 HEX NUT
32	90518	1	BOOT, CONTACTOR	76	91526	2	M5-0.8 X 12MM PHILLIPS PAN HD. MACH. SCREW
33	89048	1	SEAL, OIL FILTER HOLE	77	51716	2	M5-0.8 HEX NUT
34	90537	1	RETAINER, SEAL	78	49226	2	LOCK WASHER, M5
35	22145	4	M8 FLAT WASHER	79	84867	2.5 FT.	RUBBER "U" CHANNEL
36	30340	1	1/4" FUEL LINE-4" LONG	80	56892	1	CRIMPTITE #10-24 X 3/8"
37	48031C	5	1/4" HOSE CLAMP				
38	23484D	1	SNAP BUSHING				
39	23762	2	EXTERNAL SHAKEPROOF				
40	22471	2	#8 HEX NUT				
41	22264	2	#8 LOCK WASHER				
42	79246	2	CAPSCR., M6-1.0 x 16 LONG W/LOCKWASHER				
44	22447	3	WASHER, INTERNAL SHAKEPROOF, 1/4"/M6				