

OWNER'S Manual

100 and 200 Amp "Y" Type

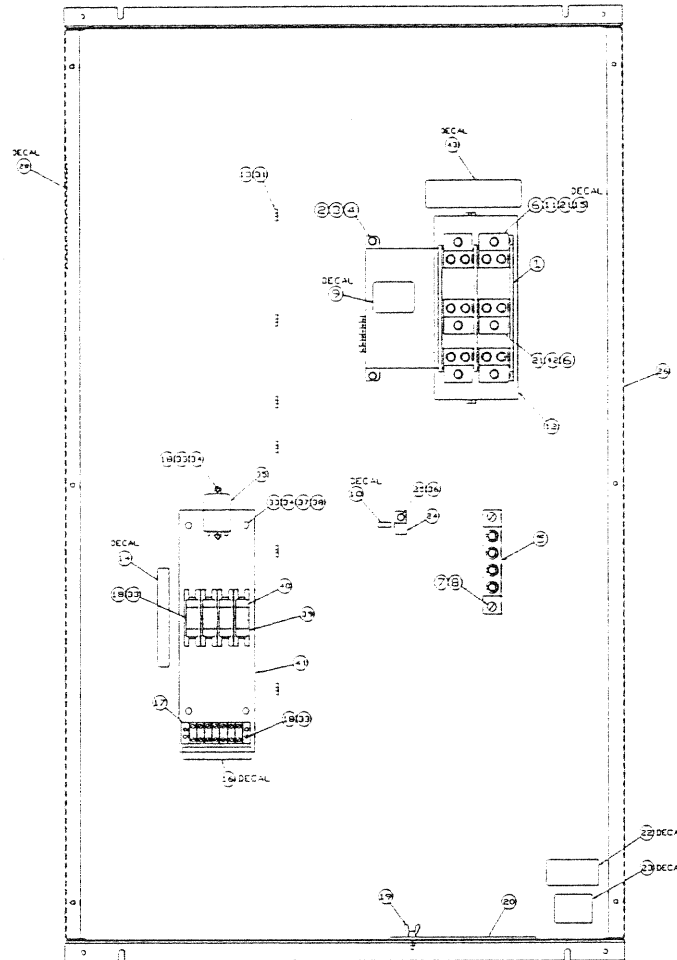
TRANSFER SWITCHES

Models 9489-0, 9490-0 & 9491-0

GENERAC
CORPORATION

EXPLODED VIEW — TRANSFER SWITCH: 200-amp, 2-pole

Drawing No. 86152

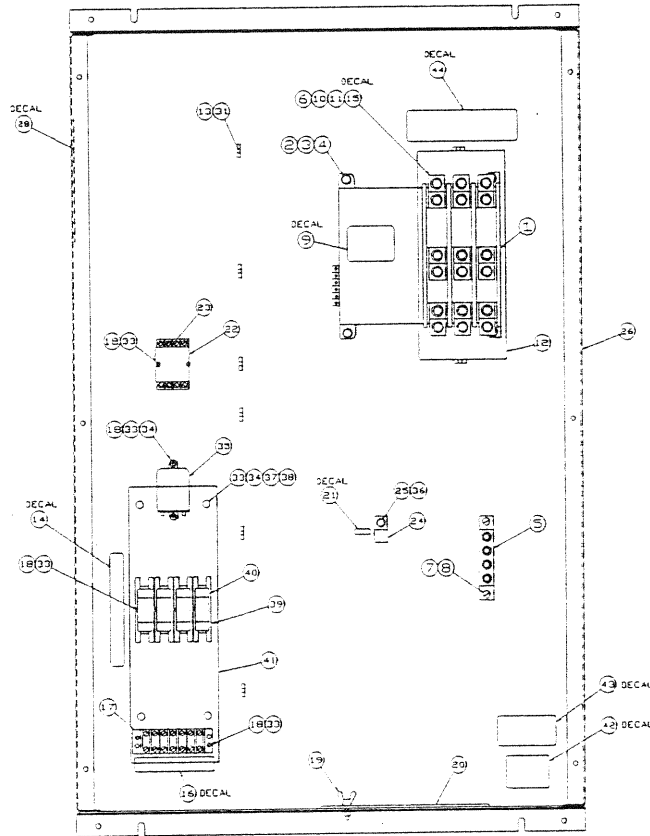


ITEM	PART NO.	QTY.	DESCRIPTION	ITEM	PART NO.	QTY.	DESCRIPTION
1	62677	1	Transfer Switch,	23	81221	1	UL Nameplate
2	52618	4	M5-0.8 x 12mm Capscrew	24	57329	1	Grounding Lug
3	49226	4	M5 Lock Washer	25	24526	1	5/16"-18 x 3/4" Screw
4	23897	4	M5 Flat Washer	26	86158	1	Enclosure
5	63657	1	Neutral Lug	27*	86305	1	Enclosure Cover
6	67989	12	Locking Flange Nut	28	79959	1	UL Information Decal
7	22678	1cc	Loc-Tite (Type "A")	29*	86155B	1	Wire Harness Assembly
8	36951	2	1/4"-20 x 3/4" Screw	30**	69254	6	Crimptite Screw
9	86403A	1	Switch Rating Decal	31	28739	4	Tie Wrap
10	67210A	1	Ground Decal	32	77228	1	Enclosure Type Decal
11	62704	4	Solderless Lug	33	22264	12	No. 8 Lock Washer
12	64308	1	Transfer Switch Cover	34	38150	6	No. 8 Flat Washer
13	63378	8	Tie-Wrap Hold Down	35	63617	1	10 amp, 12 volt DC Relay
14	74991	1	Manual Operations Decal	36	22129	1	5/16" Lock Washer
15	83792	1	Terminal Identification Decal	37	79846	4	Hex Standoff (stainless steel)
16	74978	1	Terminal Strip Decal	38	22471	4	No. 8-32 Hex Nut
17	47822	1	Terminal Strip	39	73591	4	Fuse Holder
18	36919	8	No. 8-32 x 5/8" Screw	40	73590	4	2 amp, 600 volt Fuse
19	64113	1	Wing Stud	41	79840	1	Relay & Terminal Block Cover
20	63321	1	Transfer Switch Handle	42	62702	2	Solderless Lug
21	26902	6	No. 8-32 x 1/4" Screw	43	64510	1	Terminal Note Decal
22	83736	1	CSA GTS Decal	44	86157	1	Transfer Switch Decal

* NOT SHOWN

EXPLODED VIEW — TRANSFER SWITCH: 100 amp, 3-pole

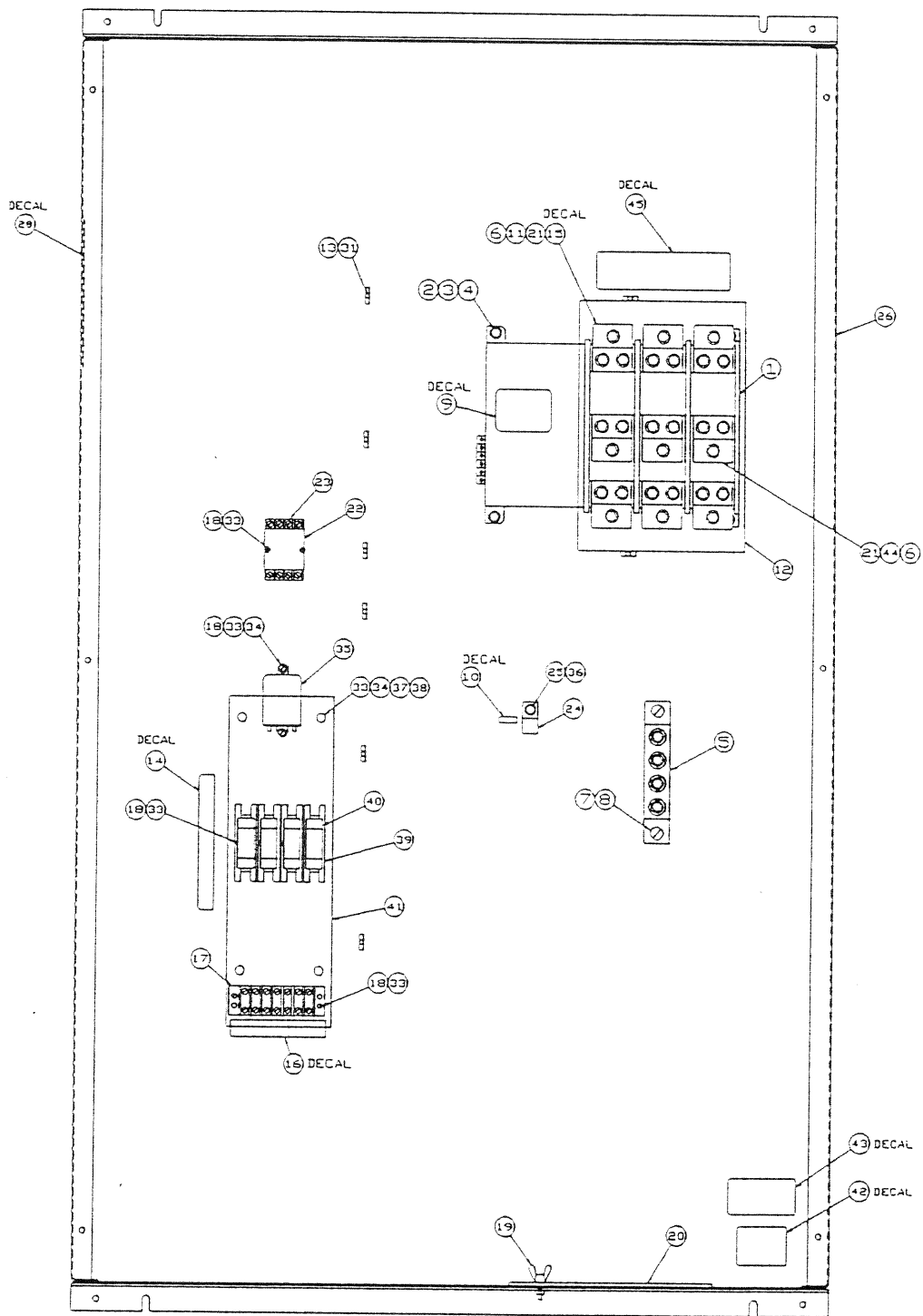
Drawing No. 86151



ITEM	PART NO.	QTY.	DESCRIPTION	ITEM	PART NO.	QTY.	DESCRIPTION
1	62642	1	Transfer Switch,	24	57329	1	Grounding Lug
2	52618	4	M5-0.8 x 12mm Capscrew	25	24526	1	5/16"-18 x 3/4" Screw
3	49226	4	M5 Lock Washer	26	86154	1	Enclosure
4	23897	4	M5 Flat Washer	27*	86306	1	Enclosure Cover
5	63384	1	Neutral Lug	28	79959	1	UL Information Decal
6	67989	12	Locking Flange Nut	29*	86155	1	Wire Harness Assembly
7	22678	1cc	Loc-Tite (Type "A")	30*	69254	6	Crimptite Screw
8	36935	2	1/4"-20 x 3/4" Screw	31	28739	4	Tie Wrap
9	86403	1	Switch Rating Decal	32	77228	1	Enclosure Type Decal
10	63552	9	Anti-Rotation Device	33	22264	12	No. 8 Lock Washer
11	62684	9	Solderless Lug	34	38150	6	No. 8 Flat Washer
12	64109B	1	Transfer Switch Cover	35	63617	1	10 amp, 12 volt DC Relay
13	63378	8	Tie-Wrap Hold Down	36	22129	1	5/16" Lock Washer
14	74991	1	Manual Operations Decal	37	79846	4	Hex Standoff (stainless steel)
15	83792	1	Terminal Identification Decal	38	22471	4	No. 8-32 Hex Nut
16	74978	1	Terminal Strip Decal	39	73591	4	Fuse Holder
17	47822	1	Terminal Strip	40	73590	4	2 amp, 600 volt Fuse
18	36919	8	No. 8-32 x 5/8" Screw	41	79840	1	Relay & Terminal Block Cover
19	64113	1	Wing Stud	42	81221	1	UL Nameplate
20	63321	1	Transfer Switch Handle	43	83736	1	CSA GTS Decal
21	67210A	1	Ground Decal	44	64510	1	Terminal Note Decal
22	63306	1	3-phase Power Monitor	45	86157	1	Transfer Switch Decal
23	66972	1	Relay Octal Socket				* NOT SHOWN

EXPLODED VIEW – TRANSFER SWITCH: 200 amp, 3-pole

Drawing No. 86153



REPAIR PARTS – TRANSFER SWITCH: 200 amp, 3-pole

Drawing No. 86153

ITEM	PART NO.	QTY.	DESCRIPTION
1	64198	1	Transfer Switch,
2	52618	4	M5-0.8 x 12mm Capscrew
3	49226	4	M5 Lock Washer
4	23897	4	M5 Flat Washer
5	63657	1	Neutral Lug
6	67989	18	Locking Flange Nut
7	22678	1cc	Loc-Tite (Type "A")
8	36951	2	1/4"-20 x 3/4" Screw
9	86403B	1	Switch Rating Decal
10	67210A	1	Ground Decal
11	62704	4	Solderless Lug
12	64308	1	Transfer Switch Cover
13	63378	8	Tie-Wrap Hold Down
14	74991	1	Manual Operations Decal
15	83792	1	Terminal Identification Decal
16	74978	1	Terminal Strip Decal
17	47822	1	Terminal Strip
18	36919	10	No. 8-32 x 5/8" Screw
19	64113	1	Wing Stud
20	63321	1	Transfer Switch Handle
21	26902	7	No. 8-32 x 1/4" Screw
22	63306	1	3-phase Power Monitor
23	66972	1	Relay Octal Socket
24	57329	1	Grounding Lug
25	24526	1	5/16"-18 x 3/4" Screw
26	86158	1	Enclosure
27*	86305	1	Enclosure Cover
28	79959	1	UL Information Decal
29*	86155A	1	Wire Harness Assembly
30*	69254	6	Crimptite Screw
31	28739	38	Tie Wrap
32	77228	1	Enclosure Type Decal
33	22264	14	No. 8 Lock Washer
34	38150	6	No. 8 Flat Washer
35	63617	1	10 amp, 12 volt DC Relay
36	22129	1	5/16" Lock Washer
37	79846	4	Hex Standoff (stainless steel)
38	22471	4	No. 8-32 Hex Nut
39	73591	4	Fuse Holder
40	73590	4	2 amp, 600 volt Fuse
41	79840	1	Relay & Terminal Block Cover
42	81221	1	UL Nameplate
43	83736	1	CSA GTS Decal
44	62702	2	Solderless Lug
45	64510	1	Terminal Note Decal
46	86157	1	Transfer Switch Decal

* NOT SHOWN